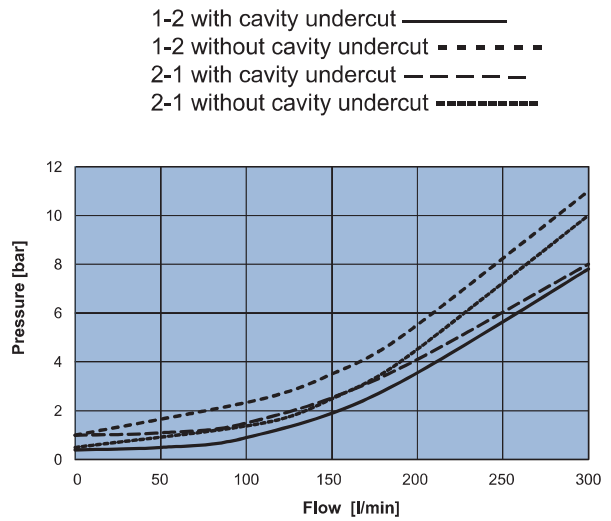
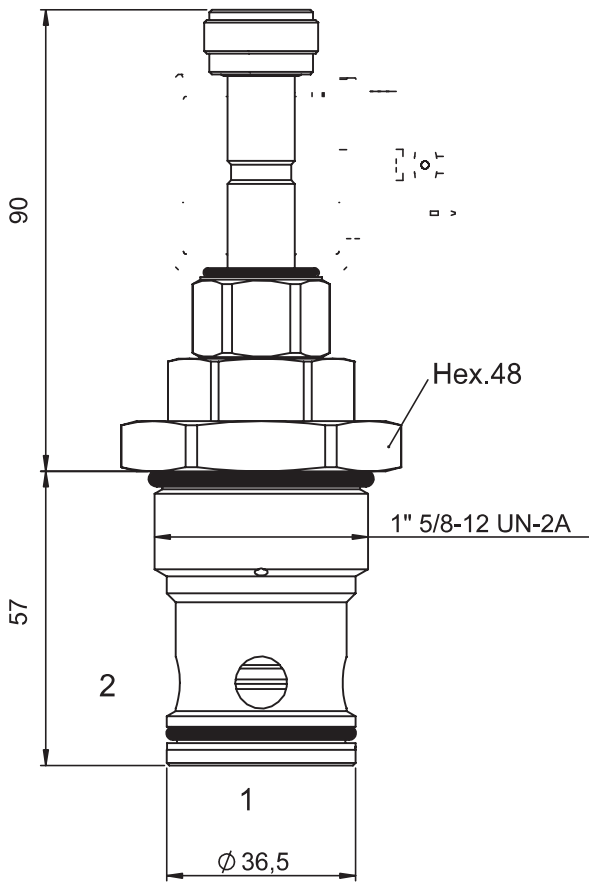
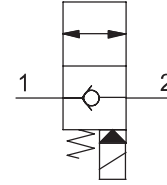


2 WAY 2 POSITION ELECTRIC POPPET VALVE, PILOT OPERATED NC

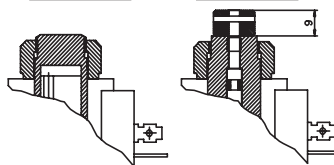
- Flow **300 l/min**
- Max working pressure..... **350 bar**
- Leakage..... **0,25 cc/min**
- Seals **NBR and PTFE**
- Cartridge tightening torque **100 Nm**
- Ring nut tightening torque **5 Nm**
- Weight (with coil)..... **0,95 Kg**
- Cavity **C260001** page **206**
- Coil (to be ordered separately) **09400** page **171**



Ordering code

0 5 6 6 1 0 0 [] 0 0

0 **6**



No emergency Unscrew type

