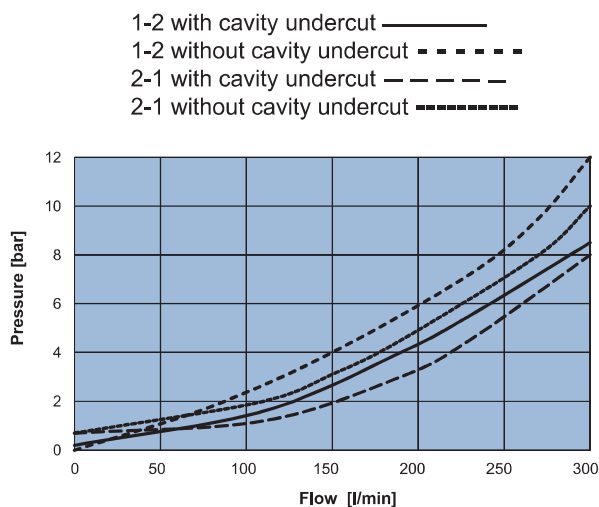
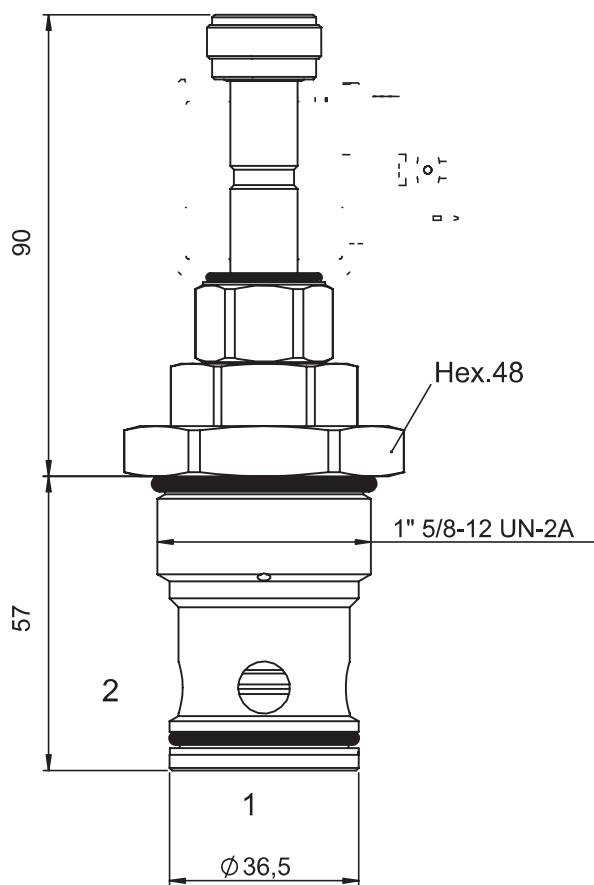
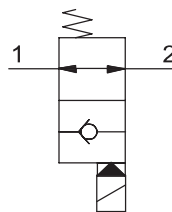


**2 WAY 2 POSITION ELECTRIC POPPET VALVE, PILOT OPERATED NO**

- Flow ..... **300 l/min**
- Max working pressure..... **350 bar**
- Leakage..... **0,25 cc/min**
- Seals ..... **NBR and PTFE**
- Cartridge tightening torque ..... **100 Nm**
- Ring nut tightening torque ..... **.5 Nm**
- Weight (with coil)..... **0,95 Kg**
- Cavity ..... **C260001** page **206**
- Coil (to be ordered separately) ..... **09400** page **171**



**Ordering code**

**0 5 6 6 0 0 0 [ ] 0 0**

