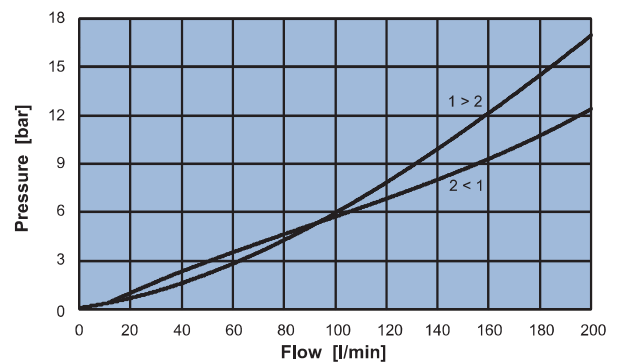
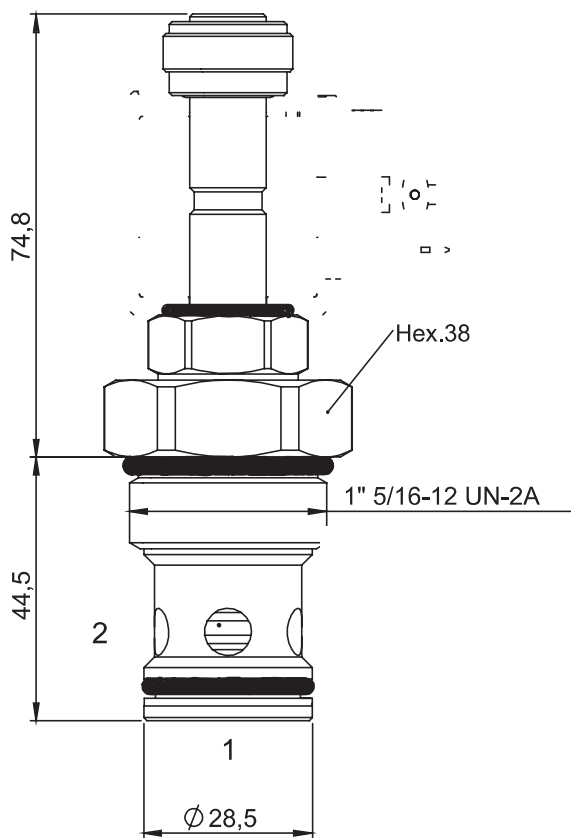
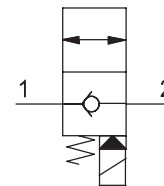


2 WAY 2 POSITION ELECTRIC POPPET VALVE, PILOT OPERATED NC

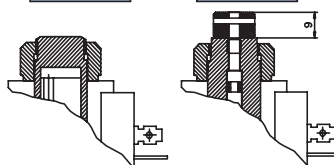
- Flow **200 l/min**
- Max working pressure..... **350 bar**
- Leakage..... **0,25 cc/min**
- Seals **NBR and PTFE**
- Cartridge tightening torque **65 Nm**
- Ring nut tightening torque **5 Nm**
- Weight (with coil)..... **0,58 Kg**
- Cavity **C250000** page **205**
- Body..... **171502** page **192**
- Coil (to be ordered separately) **09400** page **171**



Ordering code

0 5 6 5 1 0 0 [] 0 0

0 **6**



No emergency Unscrew type

