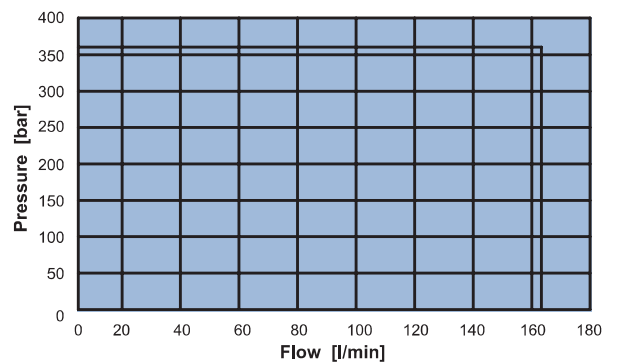
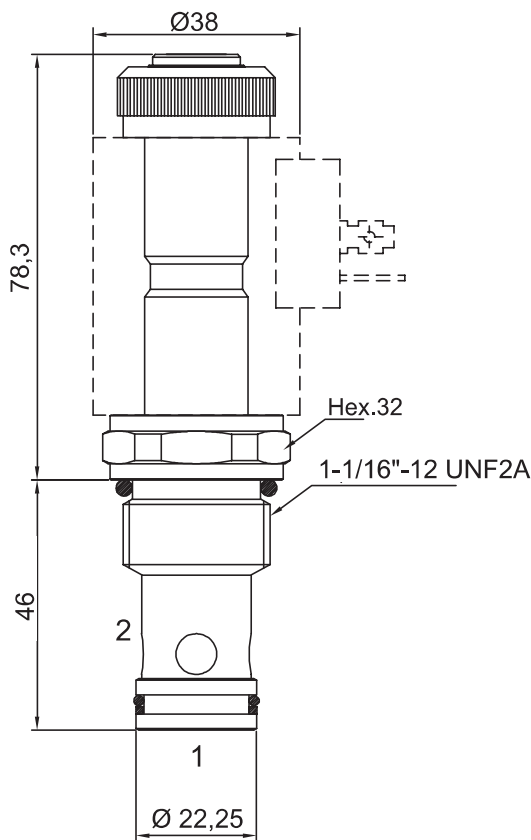
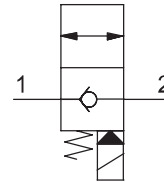
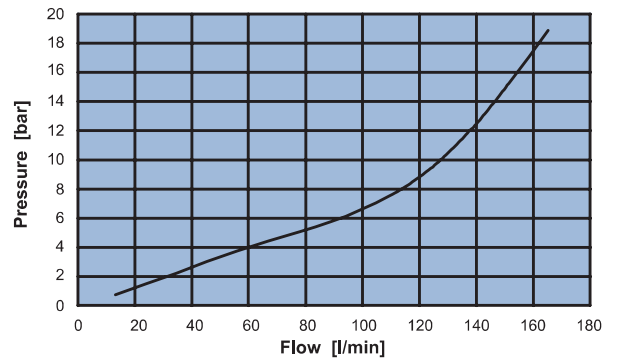


2 WAY 2 POSITION ELECTRIC POPPET VALVE, PILOT OPERATED NC

- Flow **150 l/min**
- Max working pressure..... **350 bar**
- Leakage **0,25 cc/min**
- Seals **NBR and PTFE**
- Cartridge tightening torque..... **50 Nm**
- Ring nut tightening torque **5 Nm**
- Weight (with coil)..... **0,58 Kg**
- Cavity **C240000** page 203
- Body..... **171402** page 188
- Coil (to be ordered separately) **09801** page 173



Application limits from 2 to 1 and 1 to 2

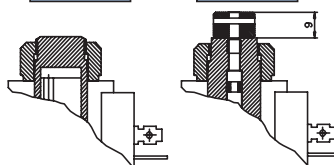


Pressure drop from 2 to 1 and from 1 to 2

Ordering code

0 5 6 4 1 0 0 [] 0 0

0 6



No emergency Unscrew type