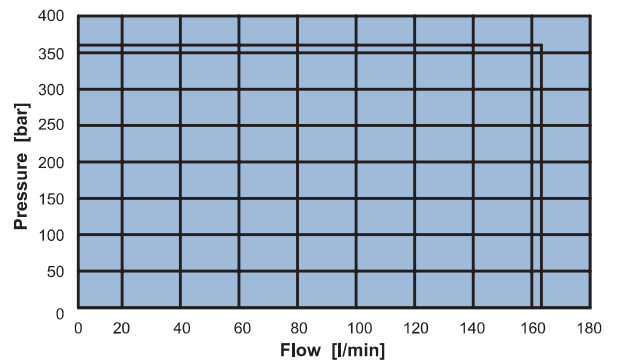
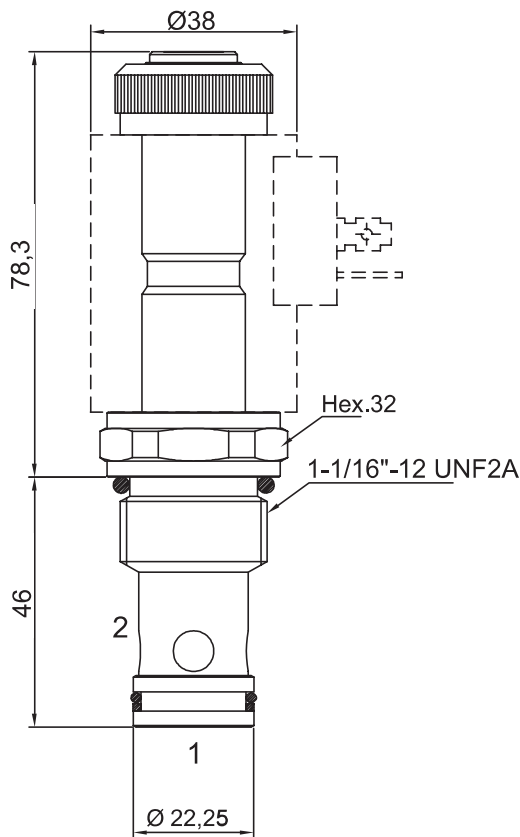
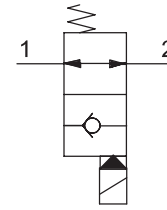
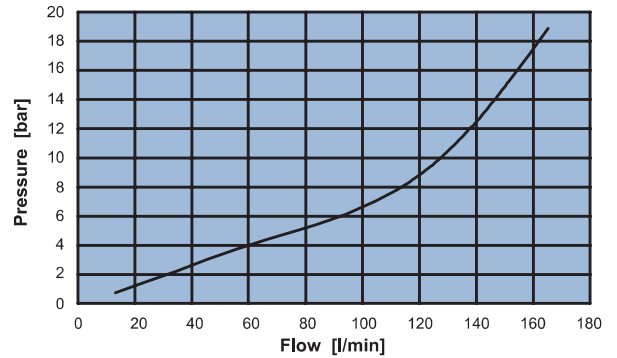


2 WAY 2 POSITION ELECTRIC POPPET VALVE, PILOT OPERATED NO

- Flow 150 l/min
- Max working pressure 350 bar
- Leakage 0,25 cc/min
- Seals NBR and PTFE
- Cartridge tightening torque..... 50 Nm
- Ring nut tightening torque 5 Nm
- Weight (with coil)..... 0,58 Kg
- Cavity C240000 page 203
- Body..... 171402 page 188
- Coil (to be ordered separately) 09801 page 173



Application limits from 2 to 1 and 1 to 2



Pressure drop from 2 to 1 and from 1 to 2

Ordering code

0 5 6 4 0 0 0 [] 0 0

