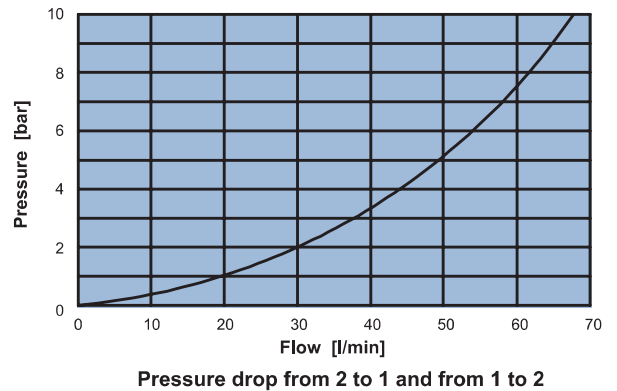
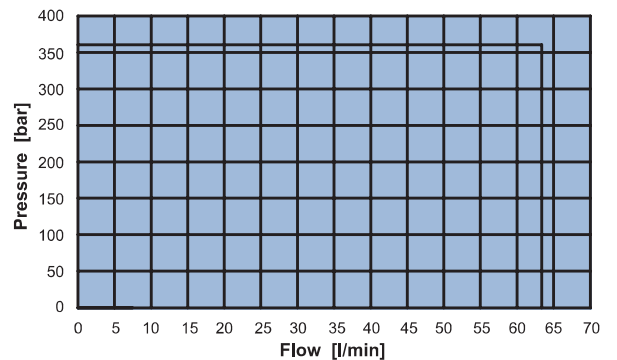
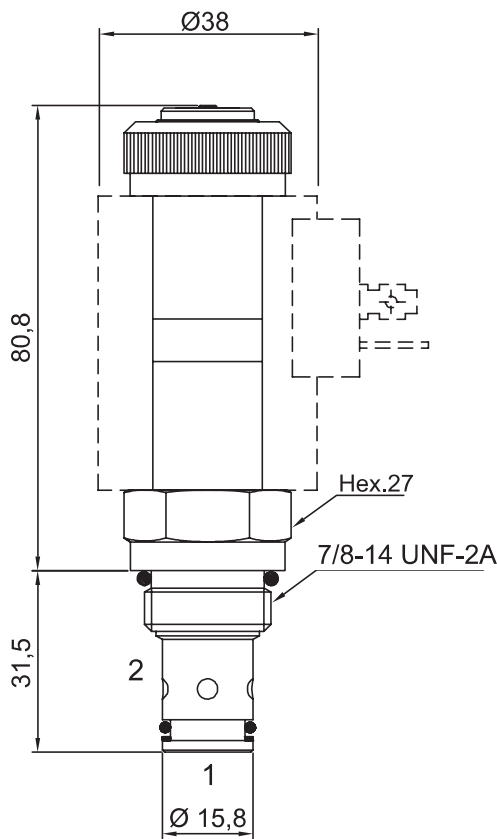
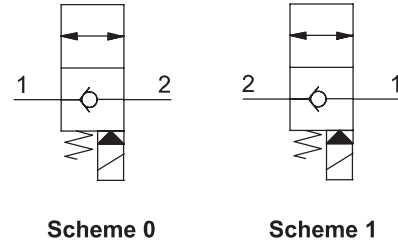


**2 WAY 2 POSITION ELECTRIC POPPET VALVE, PILOT OPERATED NC**

- Flow ..... **60 l/min**
- Max working pressure ..... **350 bar**
- Leakage ..... **0,25 cc/min**
- Seals ..... **NBR and PTFE**
- Cartridge tightening torque ..... **40 Nm**
- Ring nut tightening torque ..... **5 Nm**
- Weight (with coil)..... **0,56 Kg**
- Cavity ..... **C230000** page **200**
- Body..... **171302** page **183**
- Coil (to be ordered separately) ..... **09801** page **173**



**Ordering code**

**0 5 6 3 1**     **0 0 0**

