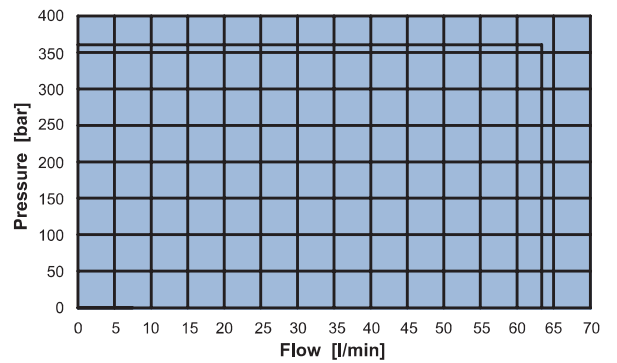
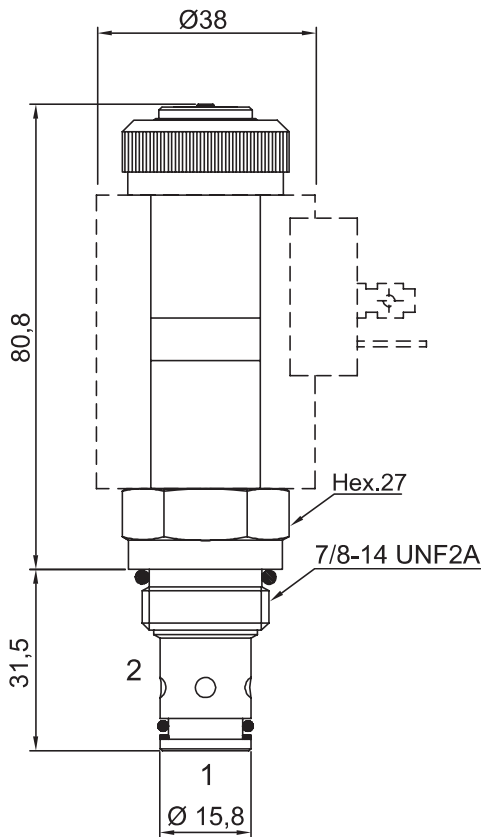
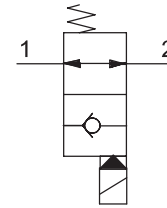
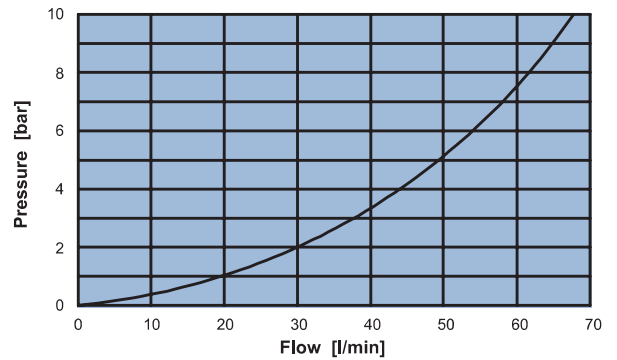


**2 WAY 2 POSITION ELECTRIC POPPET VALVE, PILOT OPERATED NO**

- Flow ..... 60 l/min
- Max working pressure ..... 350 bar
- Leakage ..... 0,25 cc/min
- Seals ..... NBR and PTFE
- Cartridge tightening torque..... 40 Nm
- Ring nut tightening torque ..... 5 Nm
- Weight (with coil)..... 0,56 Kg
- Cavity ..... C230000 page 200
- Body..... 171302 page 183
- Coil (to be ordered separately) ..... 09801 page 173



Application limits from 2 to 1 and 1 to 2



Pressure drop from 2 to 1 and from 1 to 2

**Ordering code**

**0 5 6 3 0 0 0 [ ] 0 0**

