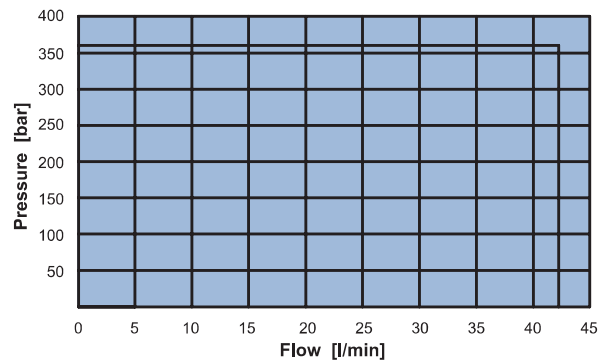
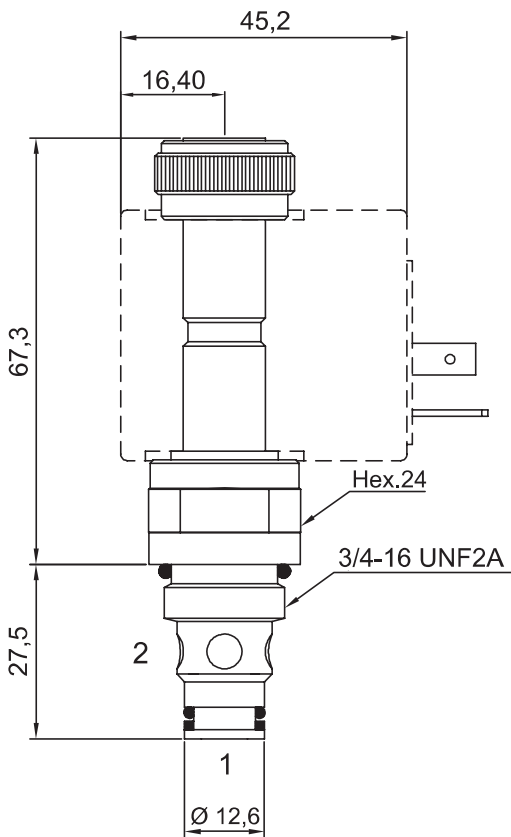
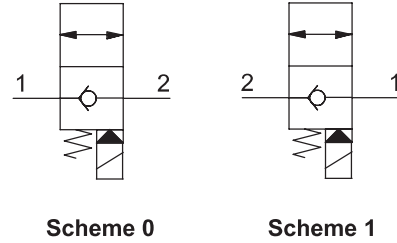
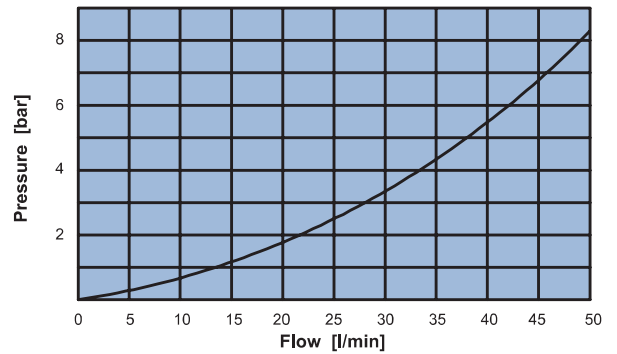


2 WAY 2 POSITION ELECTRIC POPPET VALVE, PILOT OPERATED NC

- Flow **40 l/min**
- Max working pressure..... **350 bar**
- Leakage **0,25 cc/min**
- Seals **NBR and PTFE**
- Cartridge tightening torque..... **30 Nm**
- Ring nut tightening torque **5 Nm**
- Weight (with coil)..... **0,32 Kg**
- Cavity **C220000** page **198**
- Body..... **171202** page **178**
- Coil (to be ordered separately) **09400** page **171**



Application limits from 2 to 1 and 1 to 2



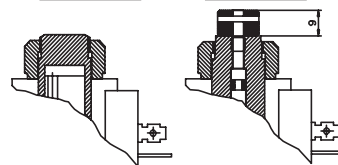
Pressure drop from 2 to 1 and from 1 to 2

Ordering code

0 5 6 2 1 **0** **0 0**



Hydraulic scheme



No emergency Unscrew type

