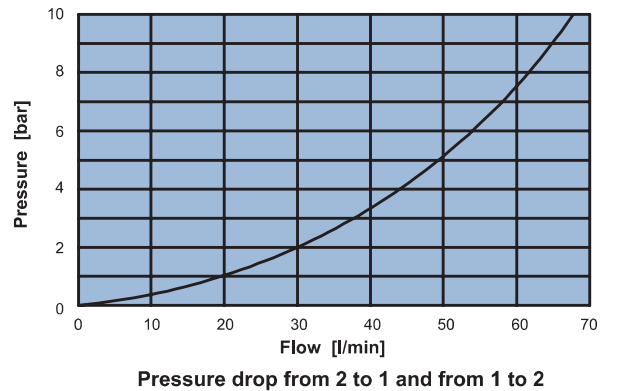
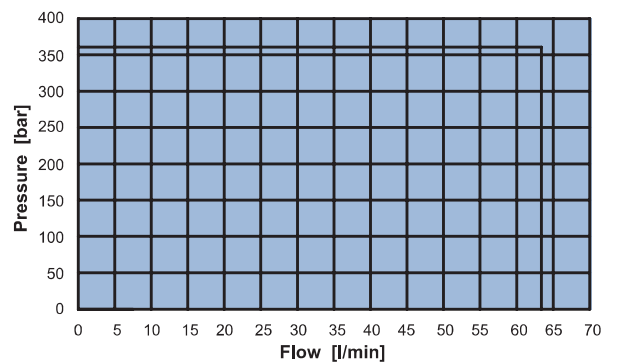
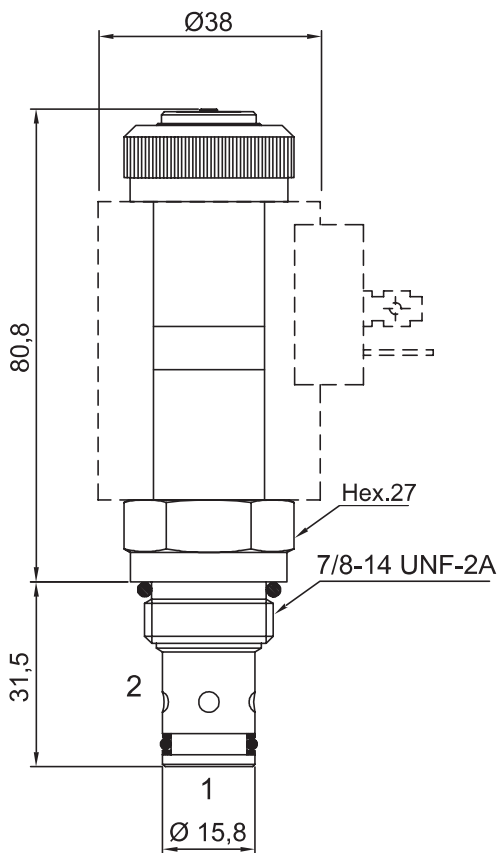
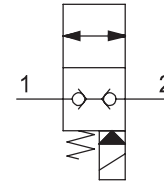


**2 WAY 2 POSITION ELECTRIC POPPET VALVE, PILOT OPERATED NC**

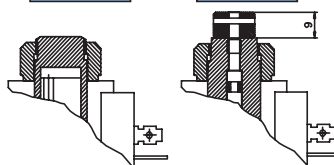
- Flow ..... **.60 l/min**
- Max working pressure ..... **350 bar**
- Leakage ..... **.0,25 cc/min**
- Seals ..... **NBR and PTFE**
- Cartridge tightening torque ..... **40 Nm**
- Ring nut tightening torque ..... **5 Nm**
- Weight (with coil) ..... **.0,56 Kg**
- Cavity ..... **C230000** page **200**
- Body ..... **171302** page **183**
- Coil (to be ordered separately) ..... **09801** page **173**



**Ordering code**

**0 5 1 3 1 0 0 [ ] 0 0**

**0**      **6**



**No emergency    Unscrew type**

