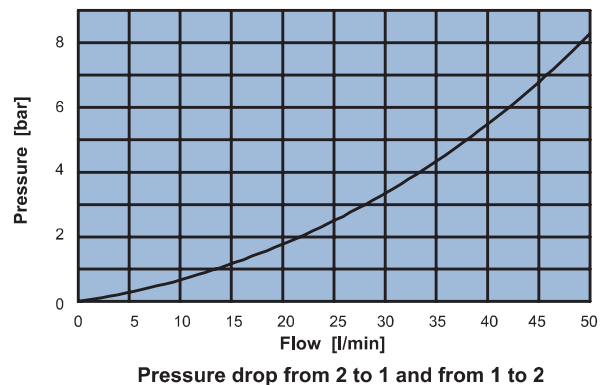
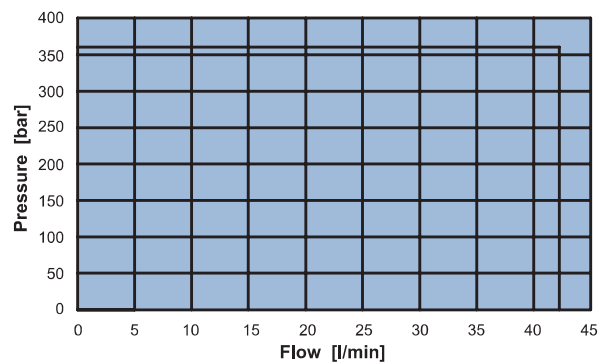
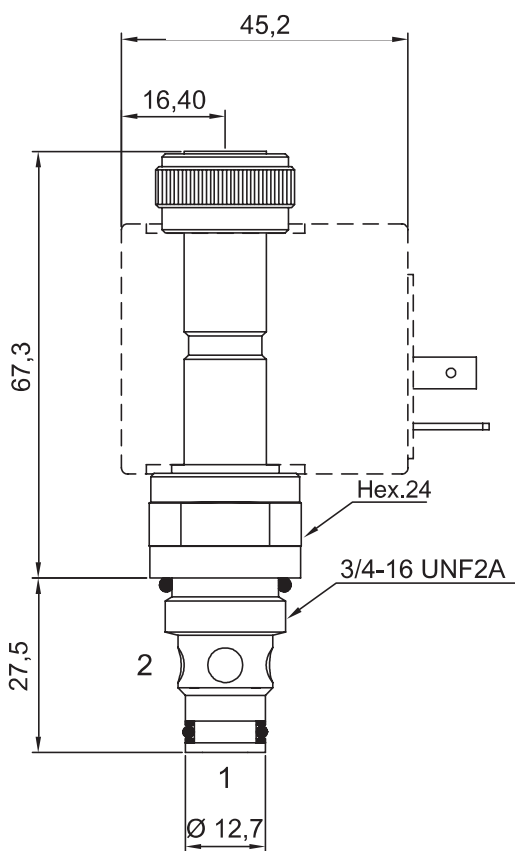
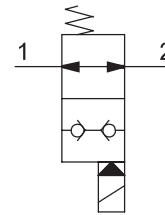


**2 WAY 2 POSITION ELECTRIC POPPET VALVE, PILOT OPERATED NO**

- Flow ..... **40 l/min**
- Max working pressure ..... **350 bar**
- Leakage ..... **0,25 cc/min**
- Seals ..... **NBR and PTFE**
- Cartridge tightening torque..... **30 Nm**
- Ring nut tightening torque ..... **5 Nm**
- Weight (with coil) ..... **0,32 Kg**
- Cavity ..... **C220000** page 198
- Body..... **171202** page 178
- Coil (to be ordered separately) ..... **09400** page 171



**Ordering code**

**0 5 1 2 0 0 0 [ ] 0 0**

