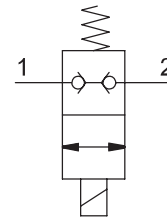
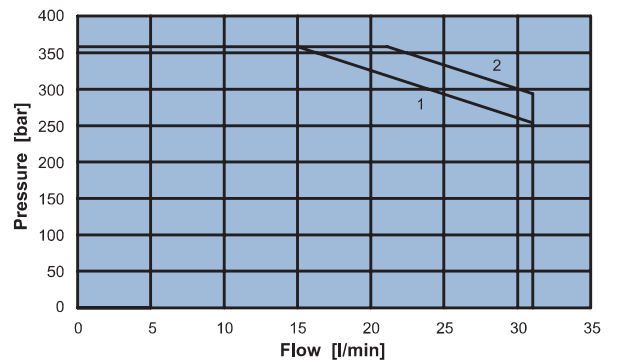
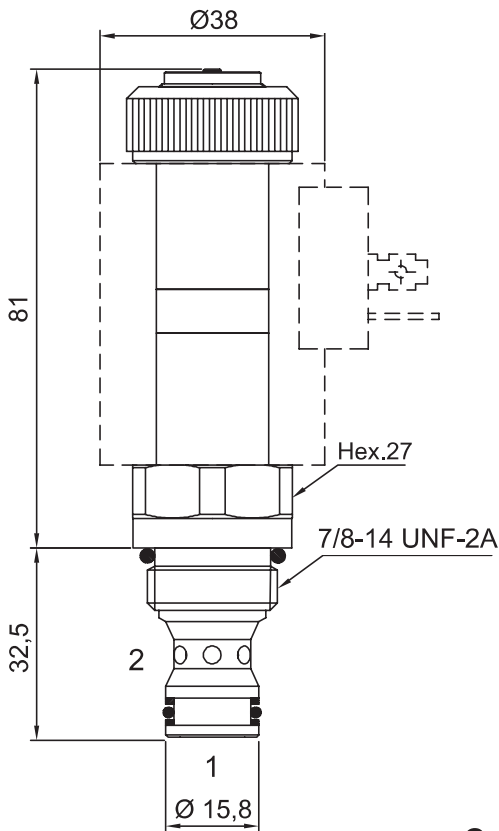


**2 WAY 2 POSITION ELECTRIC POPPET VALVE, DIRECT ACTING NC**

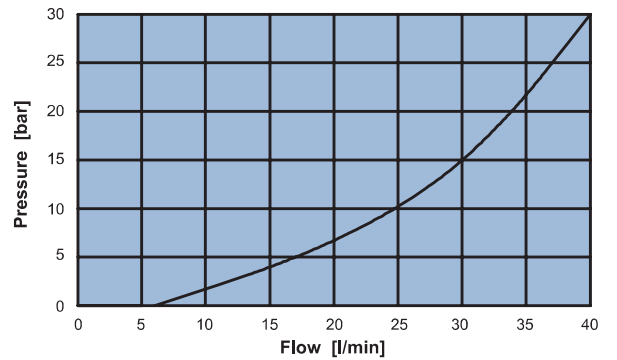
- Flow ..... **30 l/min**
- Max working pressure ..... **350 bar**
- Leakage ..... **0,25 cc/min**
- Seals ..... **NBR and PTFE**
- Cartridge tightening torque..... **40 Nm**
- Ring nut tightening torque ..... **5 Nm**
- Weight (with coil)..... **0,56 Kg**
- Cavity ..... **C230000** page 200
- Body..... **171302** page 183
- Coil (to be ordered separately) ..... **09800** page 172



Note: *proportional coil 09800 applied to provide the operating needed power.*



1 = Limits from 2 to 1  
2 = Limits from 1 to 2



Pressure drop with energized coil

**Ordering code**

**0 5 0 3 1 0 0 [ ] 0 0**

