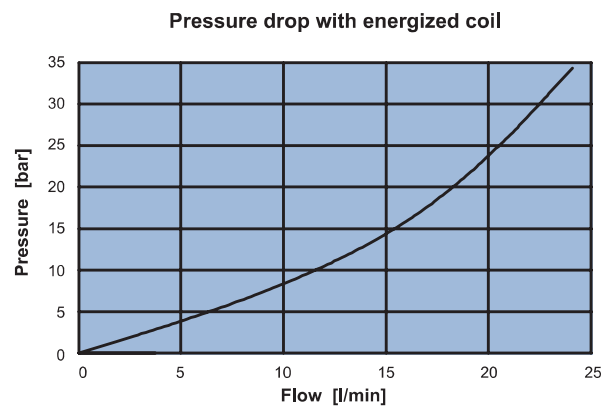
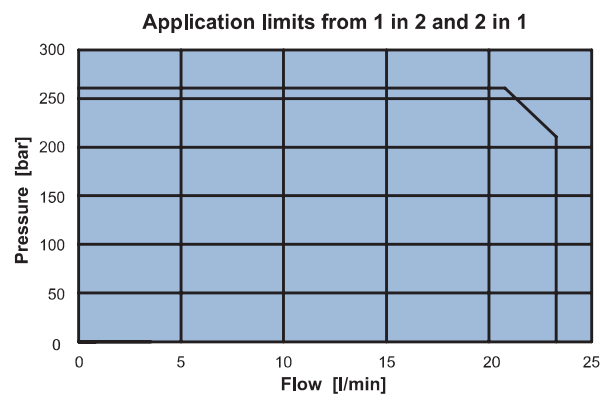
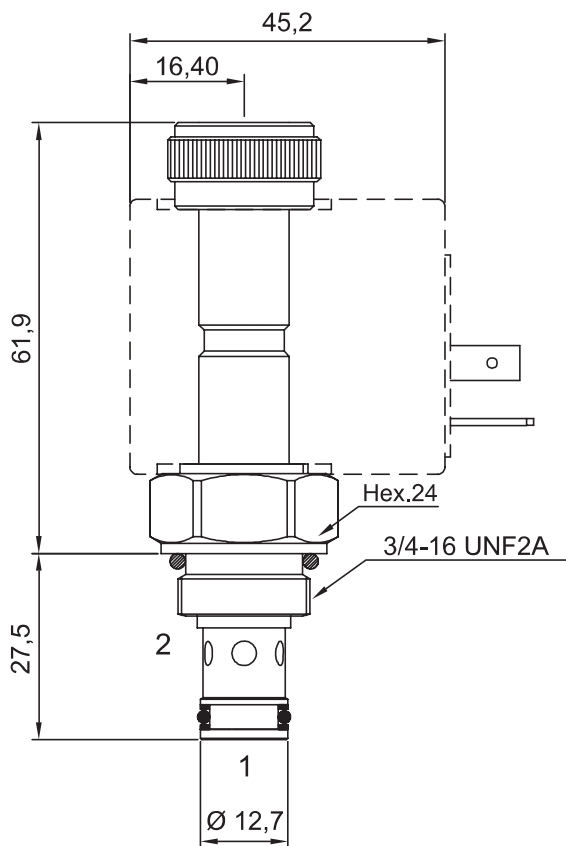
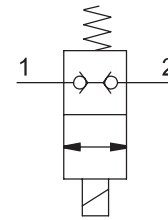


2 WAYS 2 POSITIONS ELECTRIC POPPET VALVE, DIRECT ACTING NC

- Flow **20 l/min**
- Max working pressure **250 bar**
- Leakage **0,25 cc/min**
- Seals **NBR**
- Cartridge tightening torque **30 Nm**
- Ring nut tightening torque **5 Nm**
- Weight (with coil) **0,32 Kg**
- Cavity **C220000** page 198
- Body **171202** page 178
- Coil (to be ordered separately) **09400** page 171



Ordering code

0 5 0 2 1 0 0 [] 0 0

