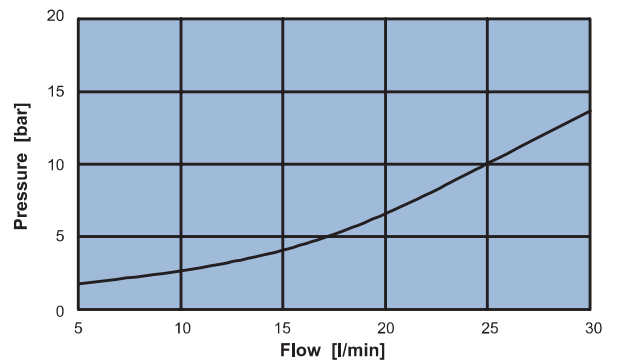
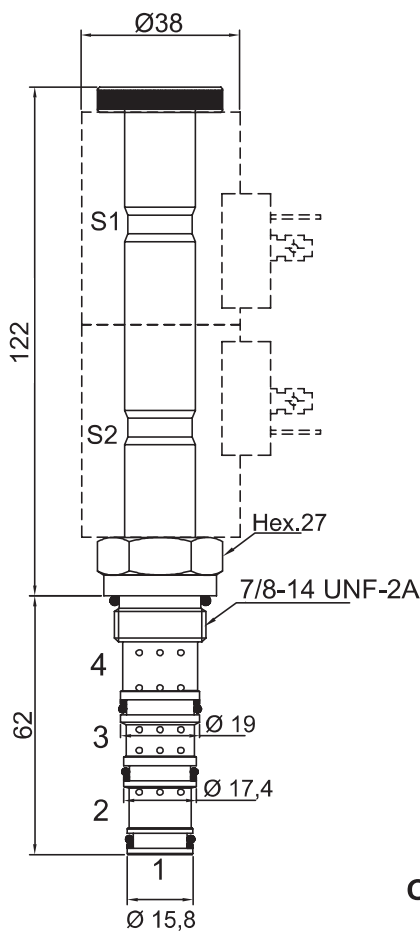
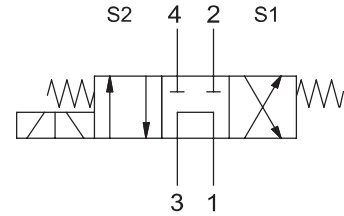
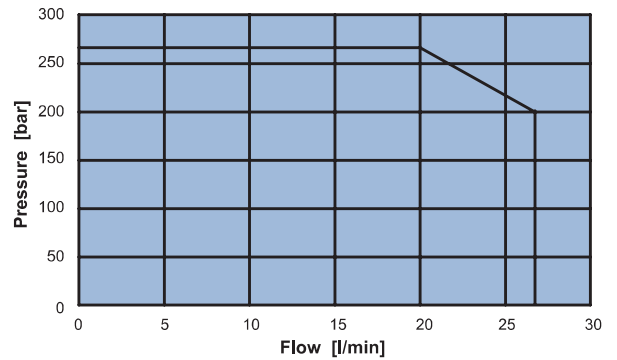


4 WAY 3 POSITION ELECTRIC SPOOL VALVE, DIRECT ACTING

- Flow **25 l/min**
- Max working pressure in 2:3:4..... **250 bar**
- Max working pressure in 1..... **20 bar**
- Leakage **100 cc/min**
- Seals **NBR and PTFE**
- Cartridge tightening torque..... **40 Nm**
- Ring nut tightening torque **5 Nm**
- Weight (with coil)..... **0,9 Kg**
- Cavity **C430000** page **216**
- Body..... **171322** page **187**
- Coil (to be ordered separately) **09801** page **173**



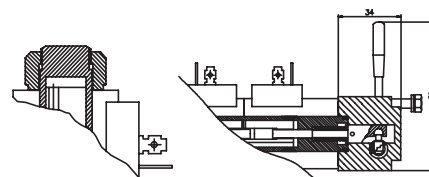
1 = Pressure drop graph from 3 to 1



Application limits from 3 to 4 or 2

Ordering code

0 4 6 3 3 0 0 0 0



No emergency

Safety lever