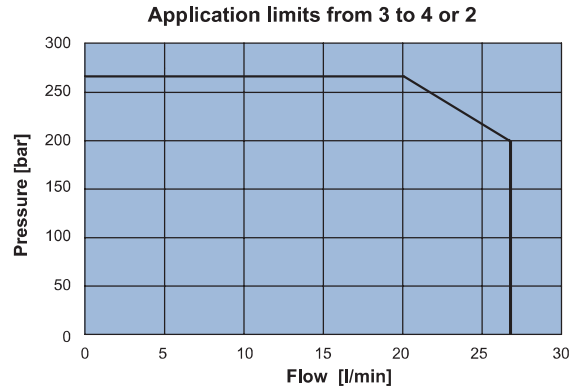
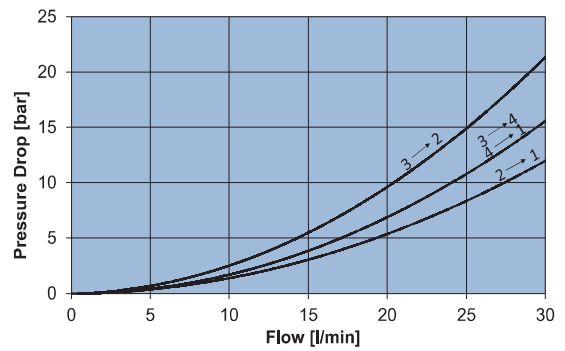
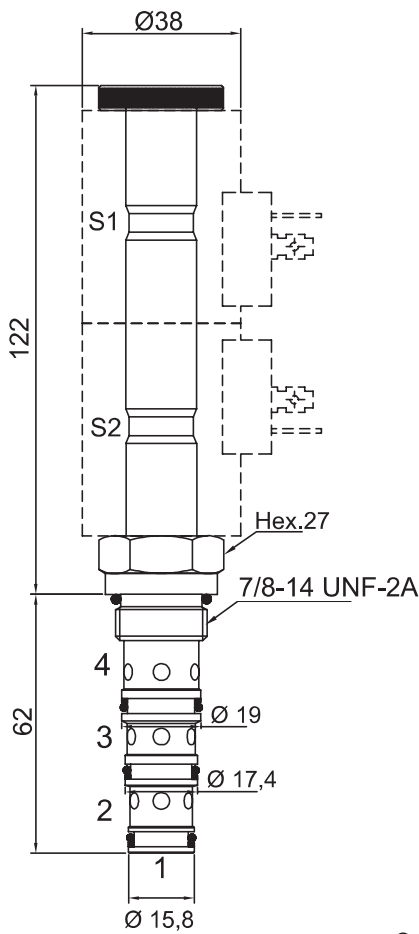
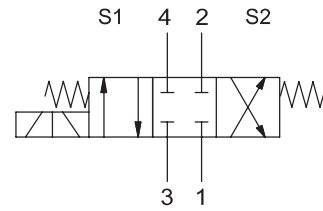


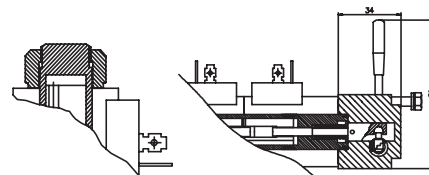
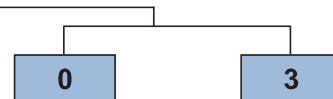
**4 WAY 3 POSITION ELECTRIC SPOOL VALVE, DIRECT ACTING**

- Flow ..... **25 l/min**
- Max working pressure in 2:3:4..... **250 bar**
- Max working pressure in 1..... **20 bar**
- Leakage ..... **100 cc/min**
- Seals ..... **NBR and PTFE**
- Cartridge tightening torque..... **40 Nm**
- Ring nut tightening torque ..... **5 Nm**
- Weight (with coil)..... **0,9 Kg**
- Cavity ..... **C430000** page **216**
- Body..... **171322** page **187**
- Coil (to be ordered separately) ..... **09801** page **173**



Ordering code

**0 4 6 3 2 0 0**    **0 0**



No emergency

Safety lever