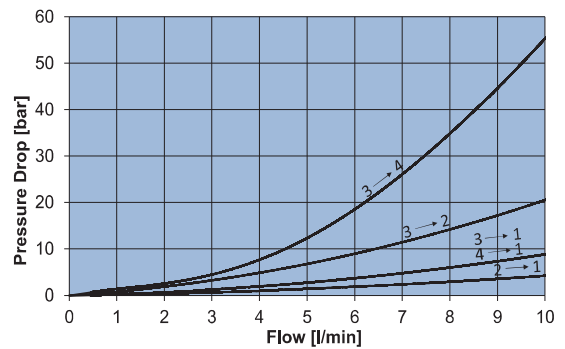
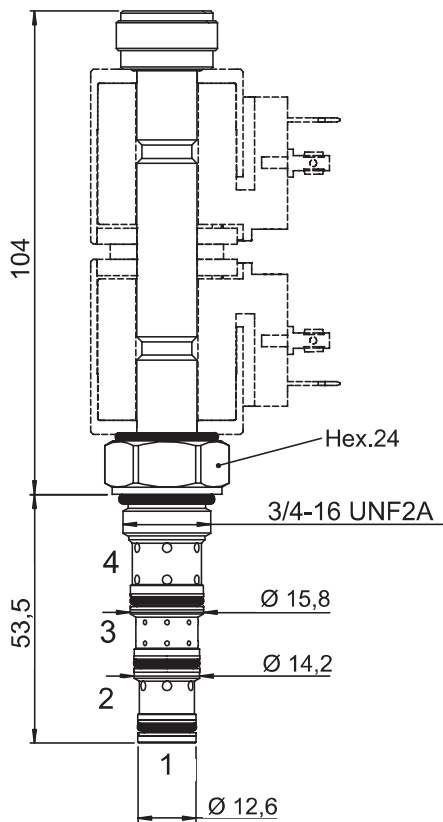
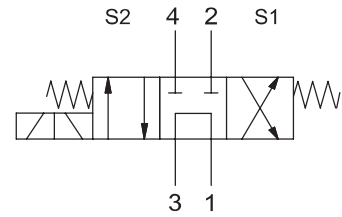


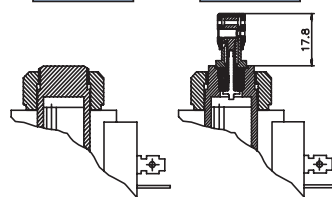
4 WAY 3 POSITION ELECTRIC SPOOL VALVE, DIRECT ACTING

- Flow **10 l/min**
- Max working pressure in 2:3:4..... **210 bar**
- Max working pressure in 1..... **20 bar**
- Leakage **40 cc/min**
- Seals **NBR and PTFE**
- Cartridge tightening torque..... **30 Nm**
- Ring nut tightening torque **5 Nm**
- Weight (with coil)..... **0,20 Kg**
- Cavity **C420000** page **215**
- Body..... **171222** page **182**
- Coil (to be ordered separately) **09400** page **171**



Ordering code

0 4 6 2 3 0 0 [] 0 0



No emergency **Push Button**

