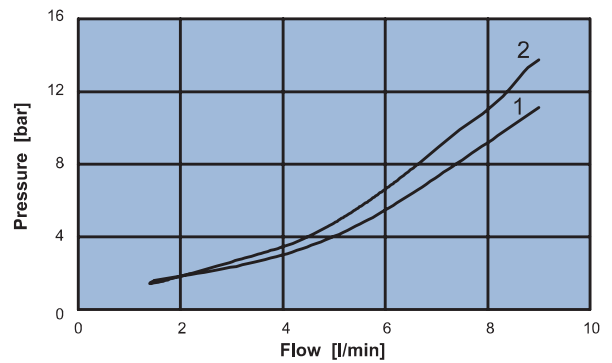
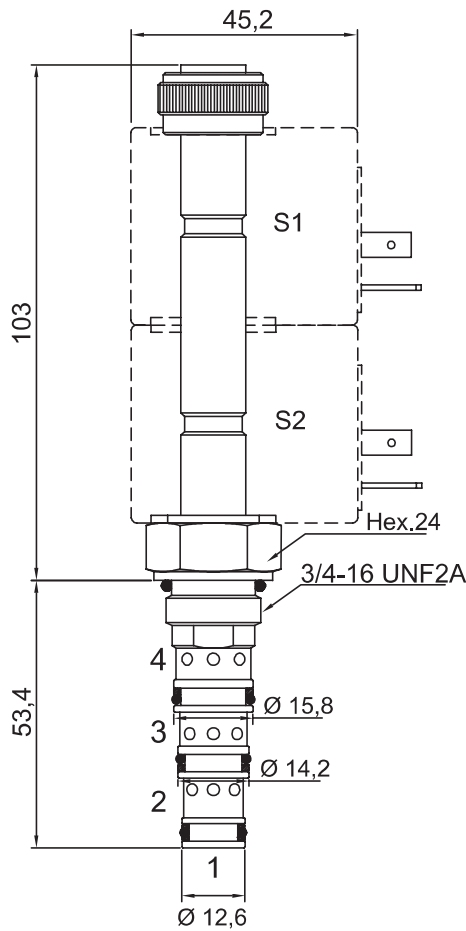
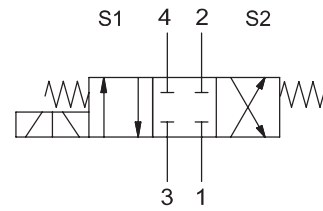
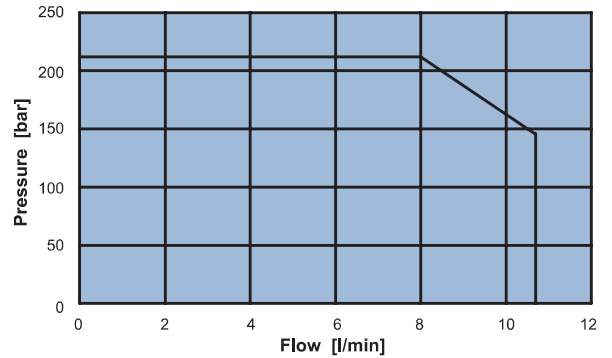


**4 WAY 3 POSITION ELECTRIC SPOOL VALVE, DIRECT ACTING**

- Flow ..... **10 l/min**
- Max working pressure in 2:3:4..... **210 bar**
- Max working pressure in 1..... **20 bar**
- Leakage ..... **60 cc/min**
- Seals ..... **NBR and PTFE**
- Cartridge tightening torque..... **30 Nm**
- Ring nut tightening torque ..... **5 Nm**
- Weight (with coil)..... **0,70 Kg**
- Cavity ..... **C420000** page **215**
- Body..... **171222** page **182**
- Coil (to be ordered separately) ..... **09400** page **171**



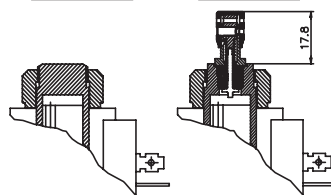
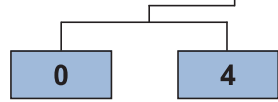
1 = Pressure drop from 2/4 to 3  
2 = Pressure drop from 3 to 2/4



Application limits from 3 in 2/4

**Ordering code**

**0 4 6 2 2 0 0 0 0**



**No emergency**      **Push Button**

