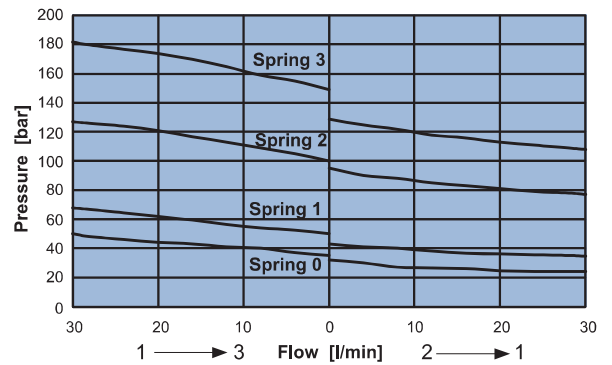
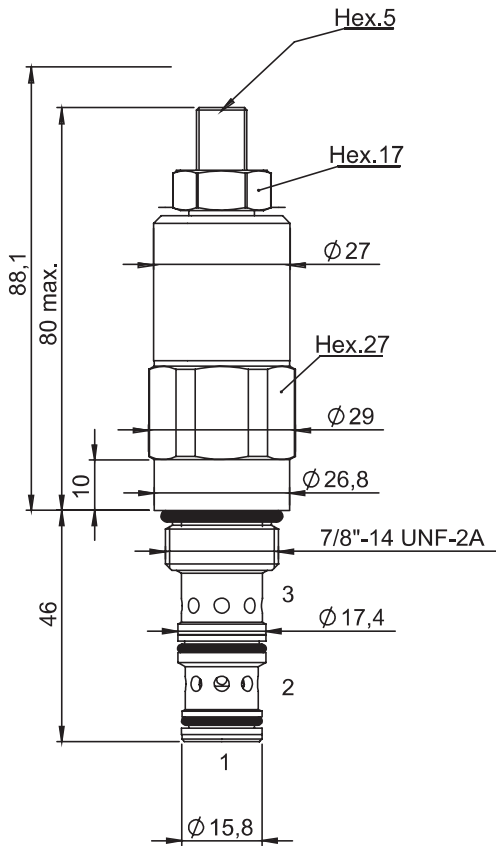
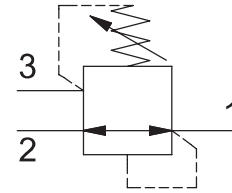


**DIRECT ACTING PRESSURE REDUCING VALVE**

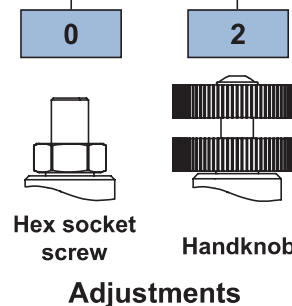
- Flow ..... **30 l/min**
- Max working pressure in 2 ..... **350 bar**
- Max working pressure in 1 ..... **150 bar**
- Max working pressure in 3 ..... **1 bar**
- Seals ..... **NBR and PTFE**
- Cartridge tightening torque ..... **.50 Nm**
- Weight ..... **0,31 Kg**
- Leakage with 350 bar in 2: ..... **70 cc/min**
- Tamper proof cap. .... **cod. 4029250280**
- Cavity ..... **C330000** page 210
- Body. .... **171312** page 184



**Ordering code**

0 1 2 3 2    0    0 0

SPRINGS	0	1	2	3
Setting range [bar]	5 - 30	15 - 55	20 - 103	30 - 150
Pressure Increase [bar/turn]	5	8	20	30
Standard setting [bar]	25	50	100	140



**Adjustments**

