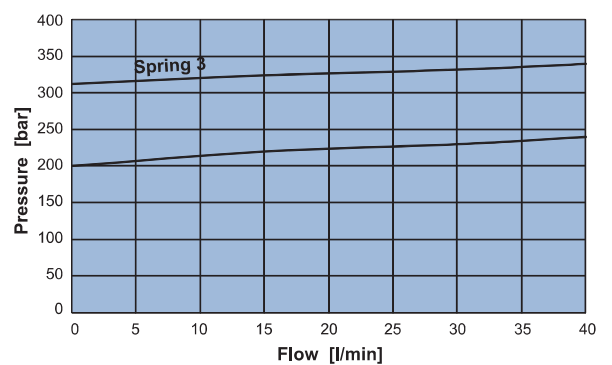
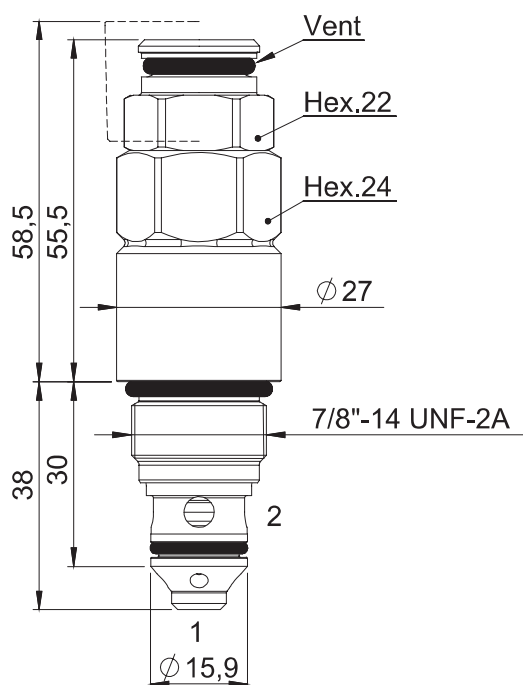
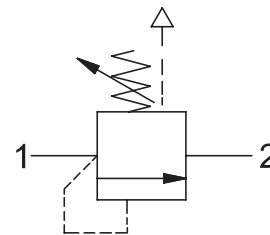


**DIRECT ACTING COMPENSATED RELIEF VALVE WITH HARDENED SEALING BODY**

- Flow ..... **40 l/min**
- Max working pressure ..... **410 bar**
- Seals ..... **NBR and PTFE**
- Cartridge tightening torque ..... **60 Nm**
- Weight ..... **0,23 Kg**
- Tamper proof cap ..... **cod. 9021030190**
- Cavity ..... **C232000** page 202



**Note:**

*Hardened body cartridge, suggested for heavy duty applications (HD) and for lifting equipment.*

*For lifting equipments, cleanliness class ISO 4406 17/14 (NAS 1653 class 8) or better is recommended.*

*This cartridge must be installed into the SAE 10/2 long cavity, according the specifications of C232000.*

**Ordering code**

**0 0 2 3 5**   **0 0 0 0**

SPRINGS	2	3
Setting range min.-max. [bar]	120 - 250	220 - 410
Pressure Increase [bar/by turn]	31	53
Standard setting 4 l/min [bar]	150	250

