









SERBATOI COMPLETI TANK ASSEMBLY

SERBATOI TANKS

Codice fascicolo: 997-400-10610

| | | | | | | | |
|---|---|---|---|---|--|---|---|
| Serbatoio da 1 litro in alluminio. 1 litre tank in aluminium. | Serbatoio da 1 litro in lamiera. 1 litre tank in steel. | Serbatoio da 2 litri / 2 litres tank | | | Serbatoio da 3 litri / 3 litres tank | | |
| | | Plastica Plastic | Alluminio Aluminium | Lamiera Steel | Plastica Plastic | Alluminio Aluminium | Lamiera Steel |
|  |  |  |  |  |  |  |  |

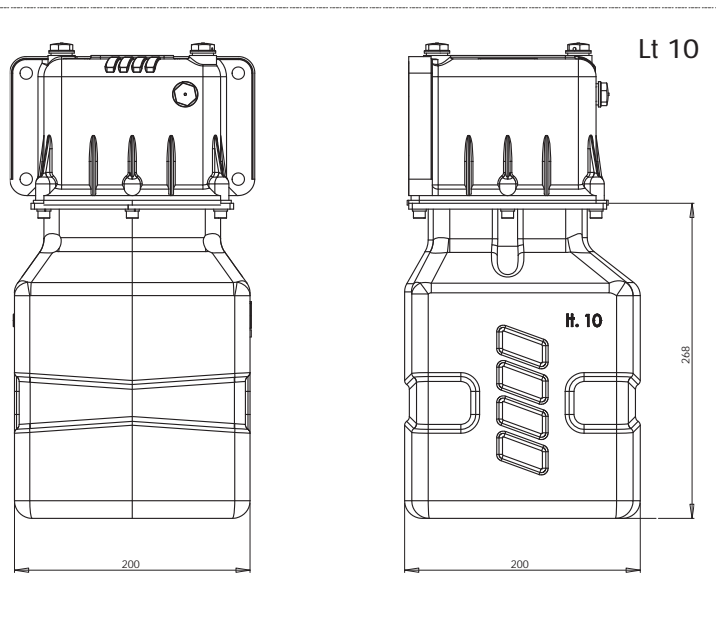
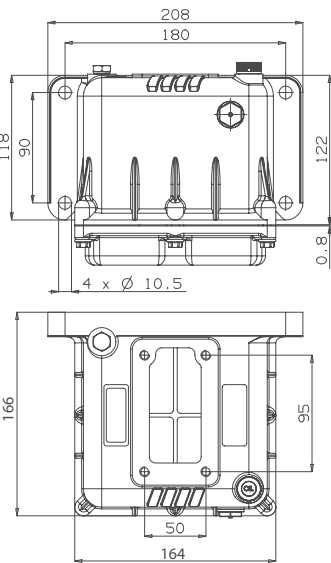
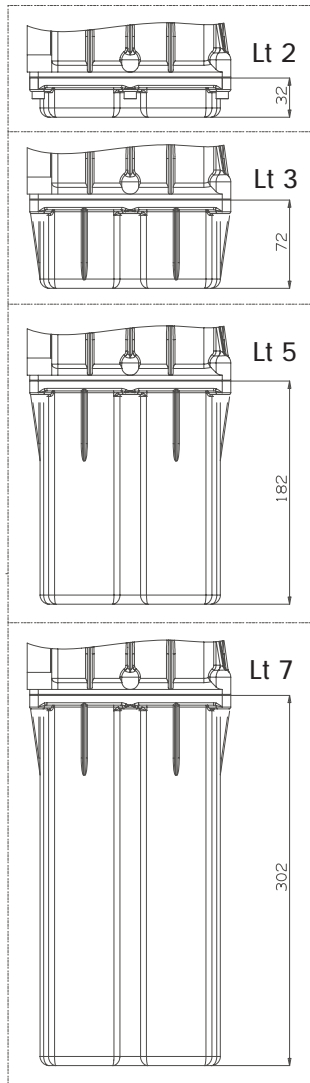
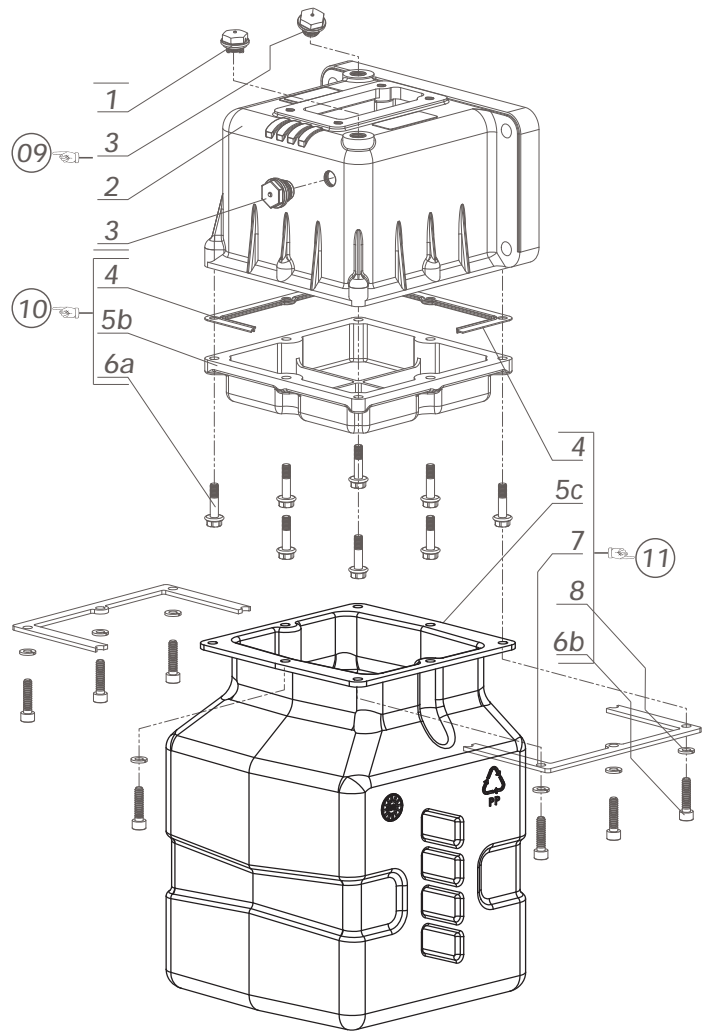
| | | | | | | | |
|---|--|--|--|--|---|--|--|
| Serbatoio da 5 litri / 5 litres tank | | | Serbatoio da 7 litri / 7 litres | | Serbatoio da 10 litri / 10 litres tank | | |
| Plastica Plastic | Alluminio Aluminium | Lamiera Steel | Plastica Plastic | Lamiera Steel | Plastica Plastic | Alluminio Aluminium | Lamiera Steel |
|  |  |  |  |  |  |  |  |

Data: Mercoledì 23 gennaio 2013

Codice foglio: 997-106-80010 Rev: AD

| MATERIALE SERBATOIO TANK'S MATERIAL | CODICE DI ORDINAZIONE ORDER CODE | CAPACITÀ CAPACITY | DESCRIZIONE DESCRIPTION | PESO WEIGHT |
|--|-------------------------------------|----------------------|-------------------------------|----------------|
| PLASTICA PLASTIC | 106-800-00025 | 2 | SRB. CMP. PM S/2/ TANK 2 LT | 1,8 |
| | 106-800-00034 | 3 | SRB. CMP. PM S/3/ TANK 3 LT | 1,9 |
| | 106-800-00043 | 5 | SRB. CMP. PM S/5/ TANK 5 LT | 2 |
| | 106-800-00052 | 7 | SRB. CMP. PM S/7/ TANK 7 LT | 2,4 |
| | 106-800-00061 | 10 | SRB. CMP. PM S/10/ TANK 10 LT | 2,9 |
| ALLUMINIO ALUMINIUM | 106-800-00105 | 1 | SRB. CMP. PM S/1/ TANK 1 LT | 4 |
| | 106-800-00203 | 2 | SRB. CMP. PM S/2/ TANK 2 LT | 1,9 |
| | 106-800-00301 | 3 | SRB. CMP. PM S/3/ TANK 3 LT | 2 |
| | 106-800-00507 | 5 | SRB. CMP. PM S/5/ TANK 5 LT | 2,5 |
| | 106-800-01006 | 10 | SRB. CMP. PM S/10/ TANK 10 LT | 5,2 |
| LAMIERA STEEL | 106-800-10014 | 1 | SRB. CMP. PM S/1/ TANK 1 LT | 2,1 |
| | 106-800-10023 | 2 | SRB. CMP. PM S/2/ TANK 2 LT | 2,8 |
| | 106-800-10032 | 3 | SRB. CMP. PM S/3/ TANK 3 LT | 3,5 |
| | 106-800-10050 | 5 | SRB. CMP. PM S/5/ TANK 5 LT | 4,6 |
| | 106-800-10078 | 7 | SRB. CMP. PM S/7/ TANK 7 LT | 5,7 |
| | 106-800-10103 | 10 | SRB. CMP. PM S/10/ TANK 10 LT | 7,5 |

| N° N° | Serbatoio l / tank | | | | | Codice P. Number | Q. Q. |
|----------------------|--------------------|---|---|---|----|---------------------|----------|
| | 2 | 3 | 5 | 7 | 10 | | |
| 1 | • | • | • | • | • | 509-005-00131 | 1 |
| 2 | • | • | • | • | • | 514-003-00089 | 1 |
| 3 | • | • | • | • | • | 509-006-00121 | 2 |
| 4 | • | • | • | • | • | 506-000-00463 | 1 |
| 5a | | | | | • | 506-000-01435 | 1 |
| | • | | | | | 514-003-00070 | 1 |
| | | • | | | | 514-008-00020 | 1 |
| 5b | | | | | | 514-008-00039 | 1 |
| | | | • | | | 514-008-00057 | 1 |
| | | | | • | | 514-008-00075 | 1 |
| 5c | | | | | • | 514-009-10107 | 1 |
| 6a | • | • | • | • | • | 502-002-10207 | 8 |
| 6b | | | | | • | 502-002-00478 | 8 |
| 7 | | | | | • | 538-000-00331 | 2 |
| 8 | | | | | • | 501-024-00063 | 8 |
| KIT RICAMBIO / KIT'S | | | | | | | |
| 9 | • | • | • | • | • | 106-800-01015 | |
| | • | | | | | 106-800-01024 | |
| 10 | | • | | | | 106-800-01033 | |
| | | | • | | | 106-800-01051 | |
| | | | | • | | 106-800-01060 | |
| 11 | | | | | • | 106-800-01097 | |



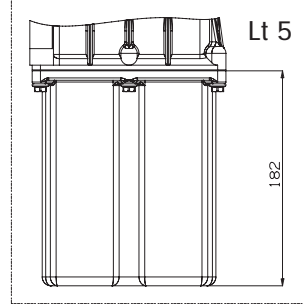
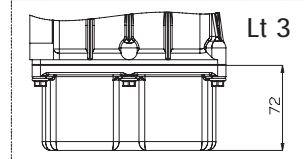
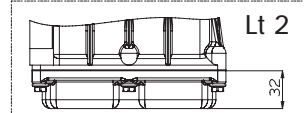
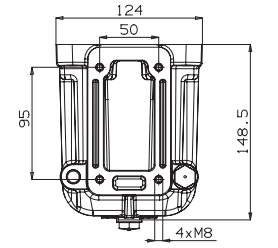
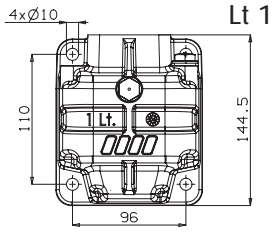
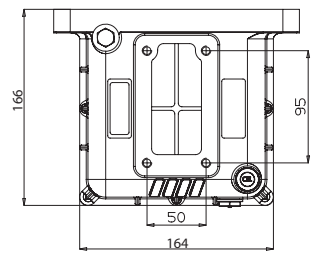
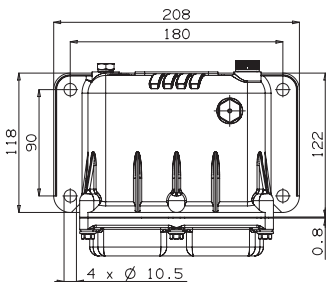
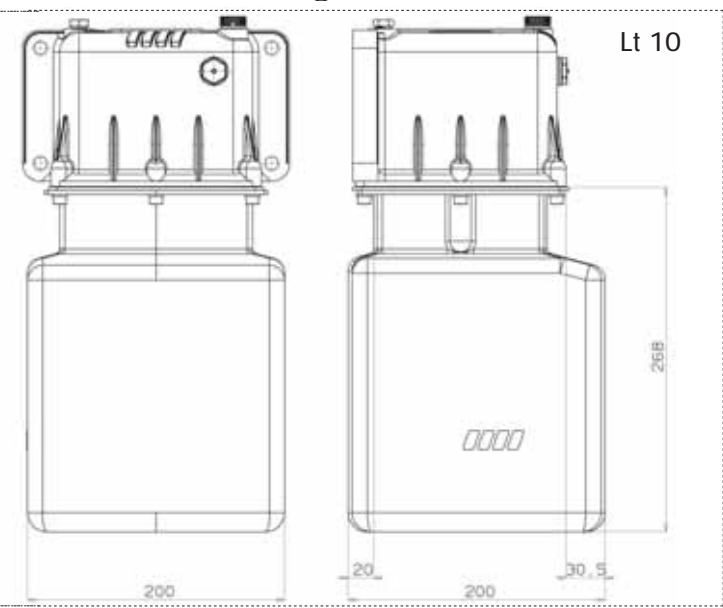
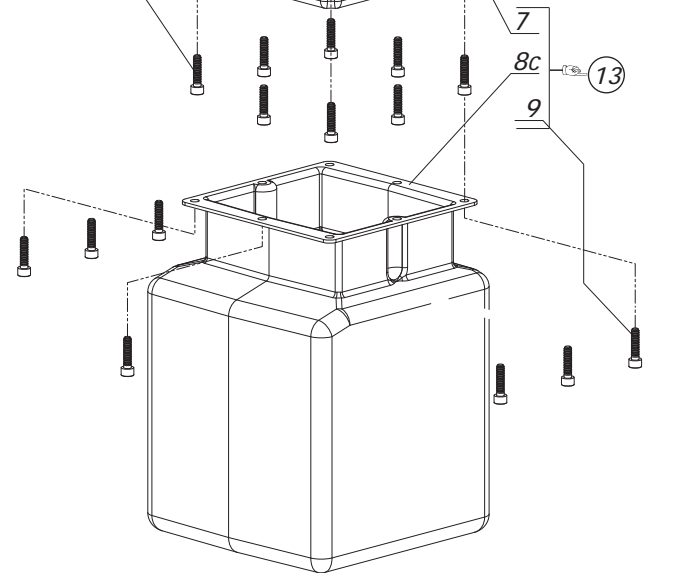
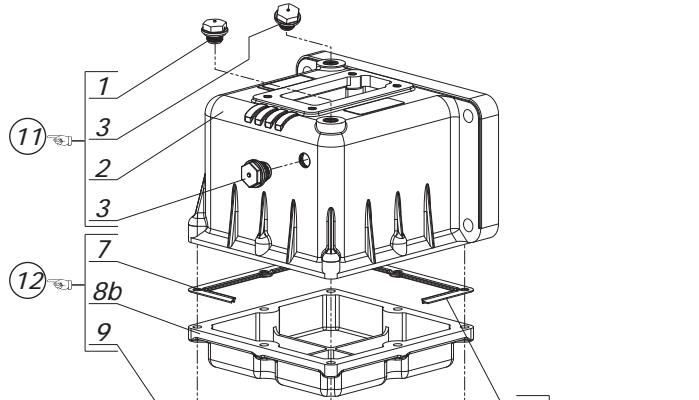
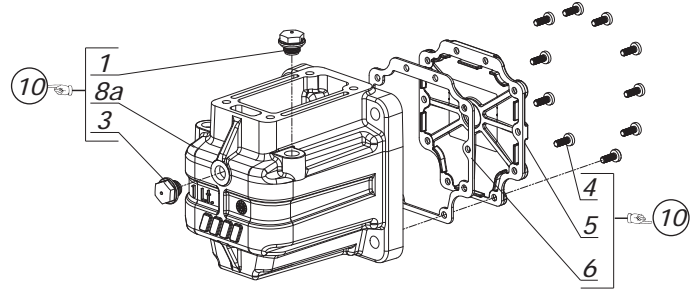
Codice fascicolo: 997-400-10610

Data: Mercoledì 23 gennaio 2013

Codice foglio: 997-106-80010 Rev. AD

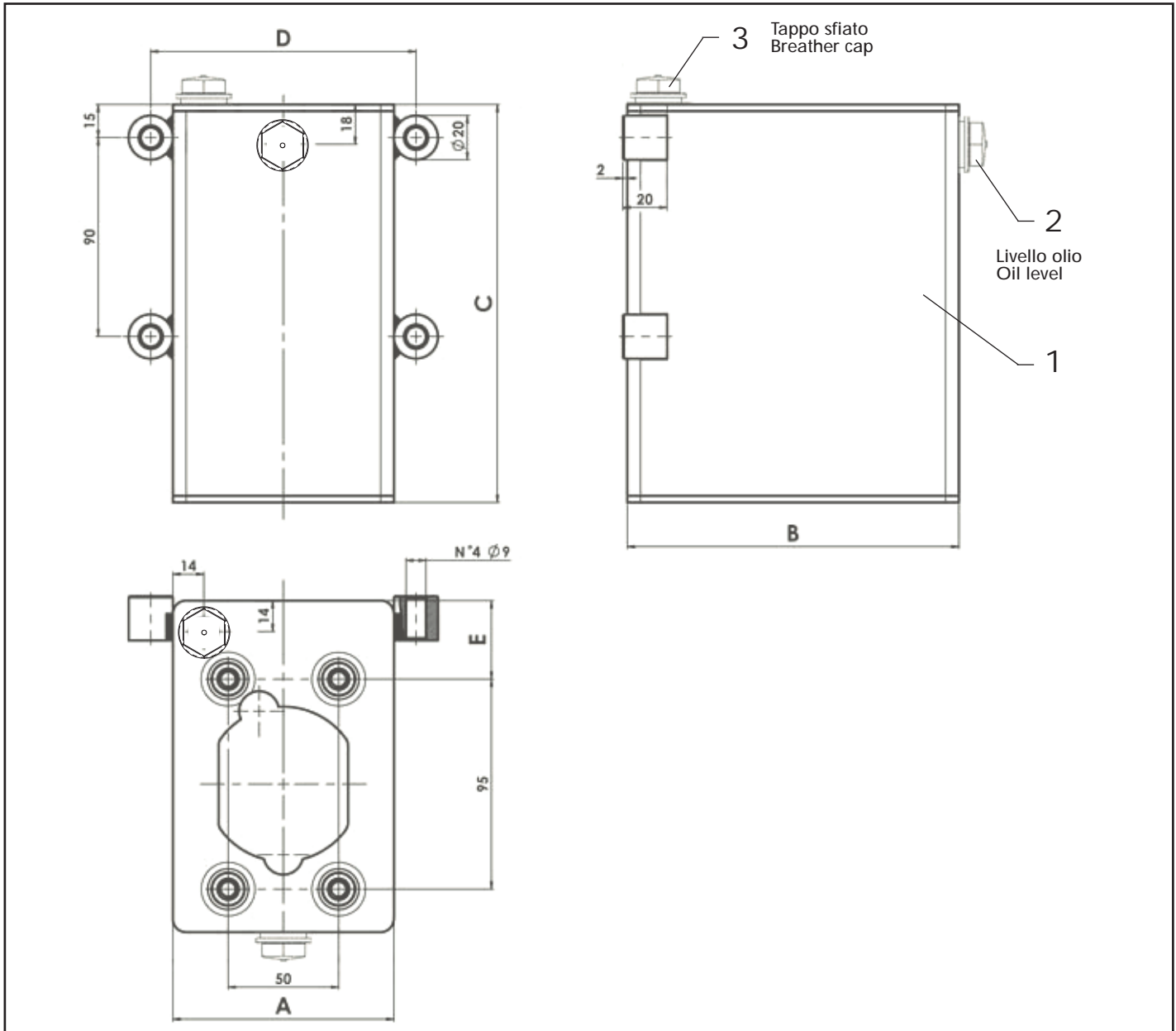
Codice fascicolo: 997-400-10610

| N° N° | Serbatoio l / tank | | | | | Codice P. Number | Q. Q. |
|----------------------|--------------------|---|---|---|----|---------------------|----------|
| | 1 | 2 | 3 | 5 | 10 | | |
| 1 | • | • | • | • | • | 509-005-00131 | 1 |
| 2 | | • | • | • | • | 514-003-00089 | 1 |
| 3 | • | • | • | • | • | 509-006-00121 | 2 |
| 4 | • | | | | | 502-000-00872 | 10 |
| 5 | • | | | | | 509-000-00912 | 1 |
| 6 | • | | | | | 506-000-02158 | 1 |
| 7 | | • | • | • | • | 507-003-00182 | 1 |
| 8a | • | | | | | 514-003-00105 | 1 |
| 8b | | • | | | | 514-005-00069 | 1 |
| | | | • | | | 514-005-00078 | 1 |
| | | | | • | | 514-005-00087 | 1 |
| 8c | | | | | • | 514-005-00050 | 1 |
| 9 | | • | • | • | • | 502-002-00441 | 8 |
| KIT RICAMBIO / KIT'S | | | | | | | |
| 10 | • | | | | | 106-800-00105 | |
| 11 | | • | • | • | • | 106-800-01015 | |
| 12 | | • | | | | 106-800-02023 | |
| | | | • | | | 106-800-02032 | |
| | | | | • | | 106-800-02050 | |
| 13 | | | | | • | 106-800-02103 | |



Data: Mercoledì 23 gennaio 2013

Codice foglio: 997-106-80010 Rev: AD



| N° | Corpo serbatoio Tank body | Capacità Capacity | A | B | C | D | E |
|----|------------------------------|----------------------|-----|-----|-----|-----|------|
| 1 | 514-003-10014 | 1 lt | 100 | 150 | 120 | 120 | 35,5 |
| | 514-003-10023 | 2 lt | 100 | 150 | 180 | 120 | 35,5 |
| | 514-003-10032 | 3 lt | 100 | 150 | 247 | 120 | 35,5 |
| | 514-003-10050 | 5 lt | 175 | 175 | 200 | 195 | 54,5 |
| | 514-003-10078 | 7 lt | 175 | 175 | 269 | 195 | 54,5 |
| | 514-003-10103 | 10 lt | 175 | 175 | 376 | 195 | 54,5 |

| N° | Codice Code | Q.tà Q.ty |
|----|--|--------------|
| 2 | 509-006-00121 Livello olio / Oil level | 1 |
| 3 | 509-005-00131 Tappo sfiato / Breather cap | 1 |

Codice fascicolo: 997-400-10610

Data: Mercoledì 23 gennaio 2013

Codice foglio: 997-106-80010 Rev. AD