

## JSC CAN Series Joystick

The all new JSC joystick is designed and manufactured for the rugged off-road market. Utilizing contactless Hall sensor technology, the JSC sets the standard in price/performance for J1939 joysticks.

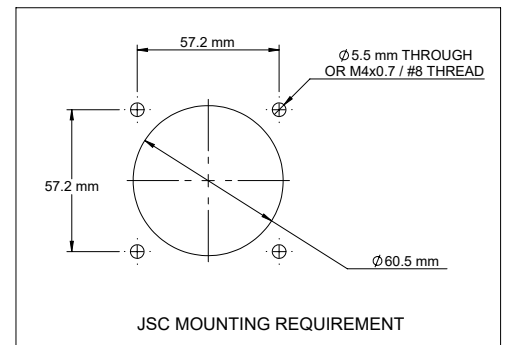
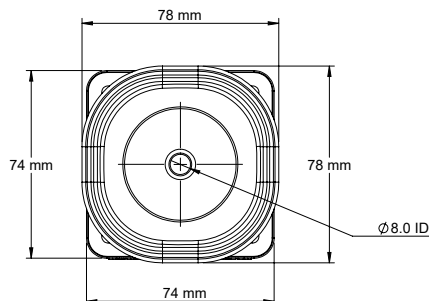
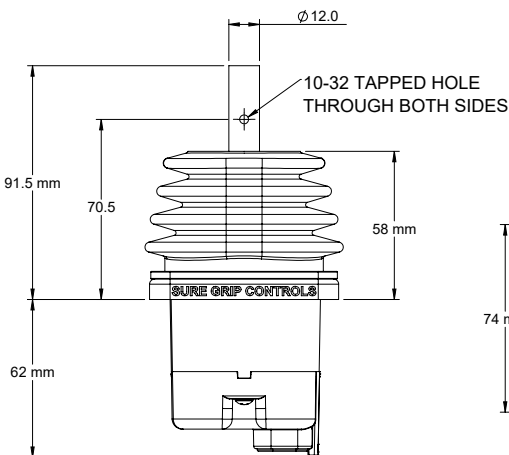
The JSC offers excellent sealing, minimum below the panel depth, and mounting compatibility with our popular JSM joystick.

The JSC is designed to operate with all our existing Handles, providing the ultimate in flexibility.

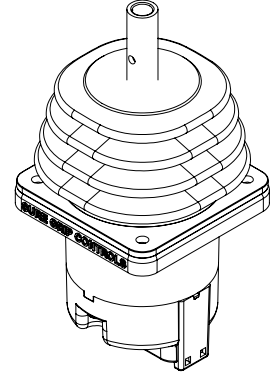
### Features:

- Long life – tested to 5 million cycles (20 million operations)
- IP69K/IP67 sealing
- Integrated connector
- Different operational spring forces
- High strength Chromoly shaft
- Supports all Sure Grip handles

### Dimensions



## Preliminary Specifications



### Electrical Specifications

Supply Voltage	10 – 36 VDC
Supply Current	30 mA
Source Address	0x00 to 0xFD

### Mechanical Specifications

Travel	± 20°
Life Expectancy	5 million cycles (20 million operations)
Operating Force	1.8 to 2.8 lbs.
Side Loading	110Nm
Gate	Square

### Environmental Specifications

Operating Temperature	-40°C to +85°C
Sealing	IP69K/IP67 (Handle dependent)
Vibration	10Hz to 2KHz 1.26Grms (IEC 60068-2-4)
Shock	25G for 11mS all directions (IEC 60068-2-27)
EMC Immunity	125V/m (ISO 13766)
EMC Emissions	CISPR 25 Class 2
ESD Immunity	ISO 10605: 2008 (+/- 8kV Operational, +/- 15kV Handling)

Specifications are subject to change without notice

## Ordering Guide

### Order Instructions:

1. Each box has a color and number, which corresponds to joystick options below. Please review each option, as this will help you with choosing your part number. (Refer to our technical guides for more information on product options)
2. If you require a handle please look at handle ordering guides.
3. If a desired joystick option is not available contact a sales representative to discuss if there are alternative solutions for your application.
4. Enter your configured part number in the empty boxes provided below and contact a friendly Sure Grip sales representative to place your order.

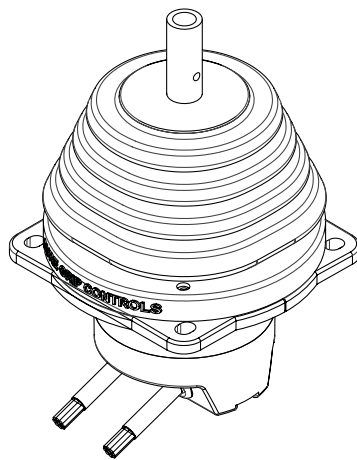
Your configured part number: **JSC** -    -    -    -   

1            2            3            4

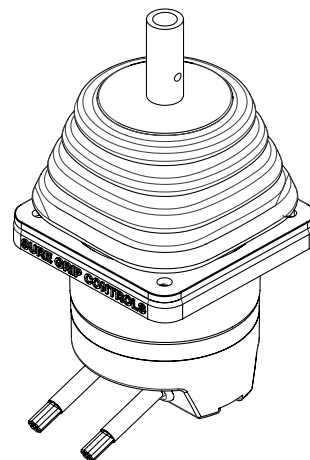
Example: **JSC** - JSC - 2 - C - JE

1. Joystick Model	7. Handle Options
JSC - Medium Size	NN - No Handle
2. Axis Options	JE - JE Handle
2 - Two Axis	LE - LE Handle
3. Output Options	KE - Large Knob
C - CAN	NE - Small Knob

Please note the difference between the JSL and JSM Joysticks. Examples below.



JSL Joystick



JSM Joystick