



ZAF10 Series

Spin-On Filter Heads

Used with AE & ZAE Filter Elements

Flows Up To: 32 GPM (return) 14 GPM (suction)

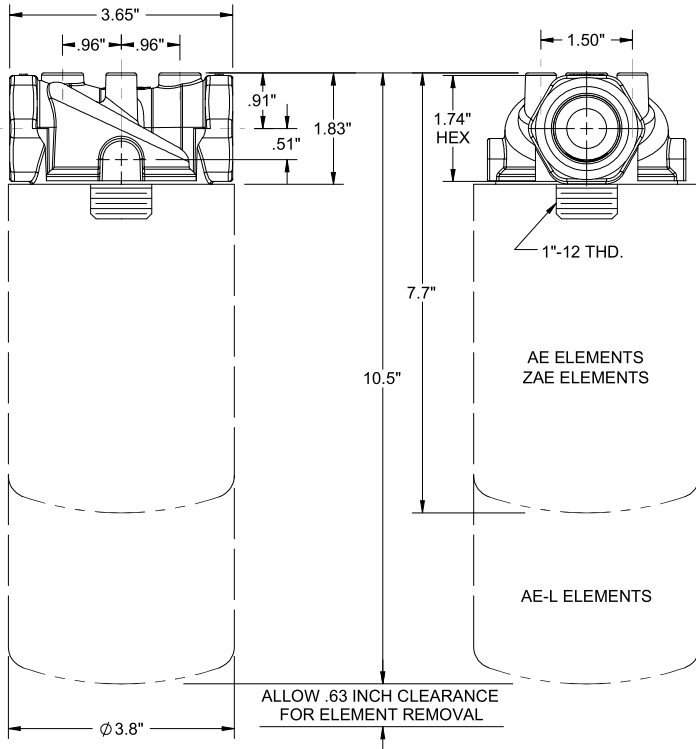
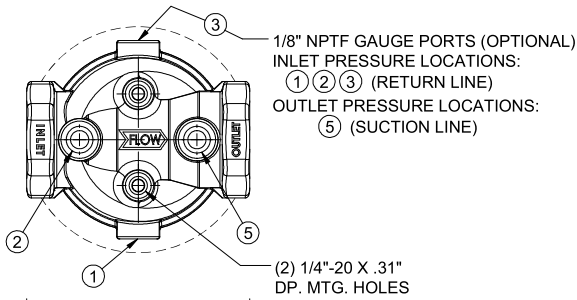
Port Sizes: 1" NPTF; 1 5/16"-12 UN(SAE-16)

Pressure: 250 PSI Max. Operating

Temperature: Up to + 250°F Operating

Applications: Petroleum based fluids
Consult factory for synthetic fluids

SPIN-ONS



HOW TO ORDER: ZAF XX XX XXX

Code	Inlet & Outlet Ports
10	1" NPTF
13	1 5/16"-12 UN (SAE-16)

Code	By-Pass Valve Setting
00	No By-Pass
03	3 PSI
25	25 PSI

Code	Gauge Port Location
0	No Port
13	1 & 3 (Return Line)
1235	1, 2, 3, 5 (All)

