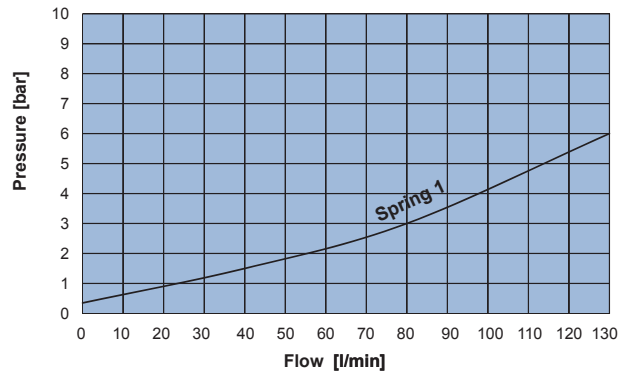
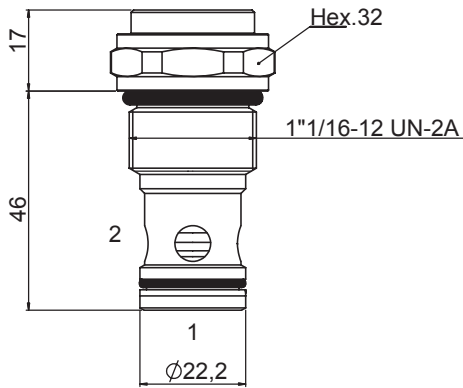


CHECK VALVE

- Max Flow.....130 l/min
- Max Pressure.....350 bar
- Leakage.....0,25 cc/min
- Seals.....NBR and PTFE
- Cartridge tightening torque.....60 Nm
- Weight.....0,2 Kg
- Cavity.....C240000 page 213
- Body.....171402 page 196



Ordering code

0 7 0 4 1 0 **0 0 0**

SPRINGS	1	2	3
Cracking pressure [bar]	0,35	2,5	5

