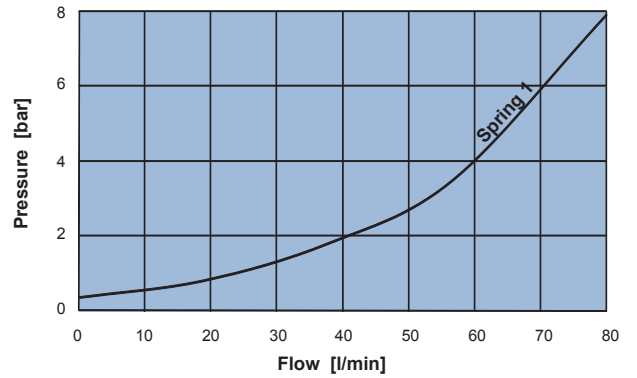
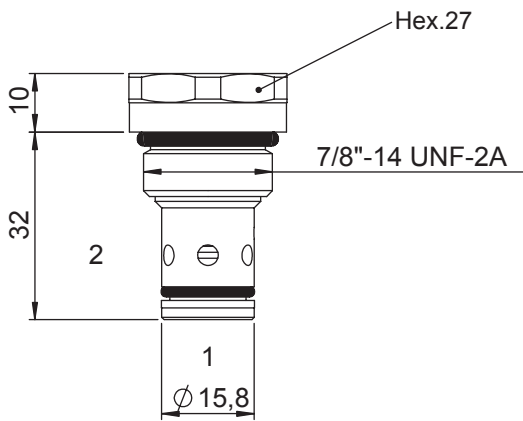


**CHECK VALVE**

- Max Flow.....**80 l/min**
- Max Pressure.....**350 bar**
- Leakage.....**0,25 cc/min**
- Seals.....**NBR and PTFE**
- Cartridge tightening torque.....**50 Nm**
- Weight.....**0,1 Kg**
- Cavity.....**C230000** page 210
- Body.....**171302** page 191



**Ordering code**

**0 7 0 3 1 0**    **0 0 0**

SPRINGS	<b>1</b>	<b>2</b>	<b>3</b>
Cracking pressure [bar]	0,35	2,5	5