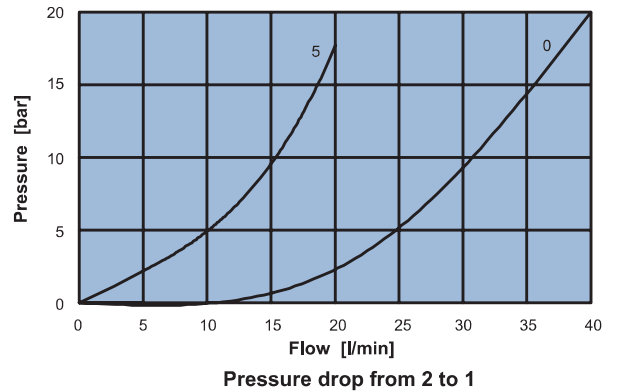
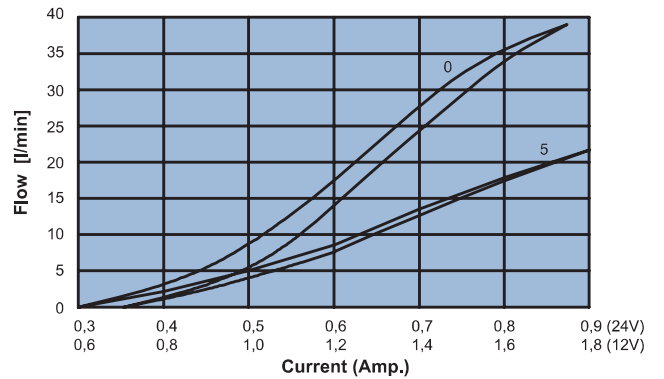
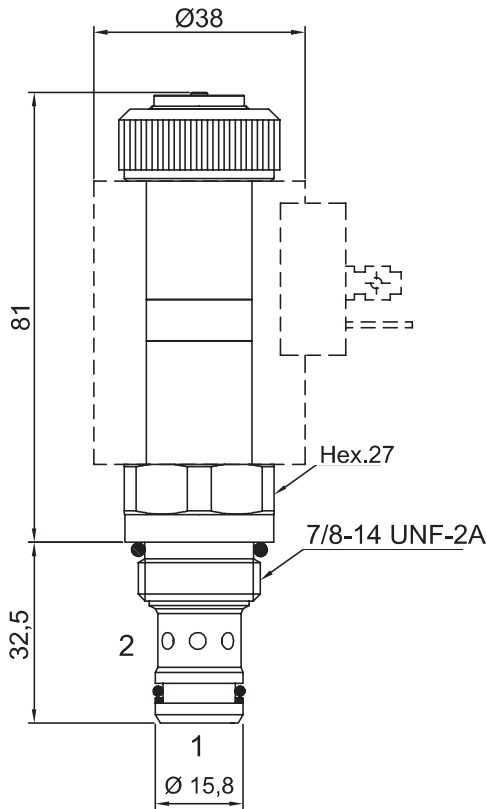
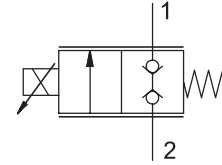


**2 WAY NORMALLY CLOSED POPPET VALVE, ELECTRO-PROPORTIONAL FLOW CONTROL**

- Flow ..... **40 l/min**
- Max working pressure in 1:2. .... **250 bar**
- Leakage ..... **0,25 cc/min**
- Seals ..... **NBR and PTFE**
- Max current at 12 Vcc ..... **1800mA**
- Max current at 24 Vcc ..... **900mA**
- PWM ..... **120 Hz**
- Hysteresis. .... **5%**
- Cartridge tightening torque ..... **40 Nm**
- Ring nut tightening torque ..... **5 Nm**
- Weight (with coil). .... **0,53 Kg**
- Cavity ..... **C230000** page **200**
- Body. .... **171302** page **183**
- Coil (to be ordered separately) ..... **09800** page **172**



**Ordering code**

**0 5 2 3 1 0 0 [ ] [ ] 0**

