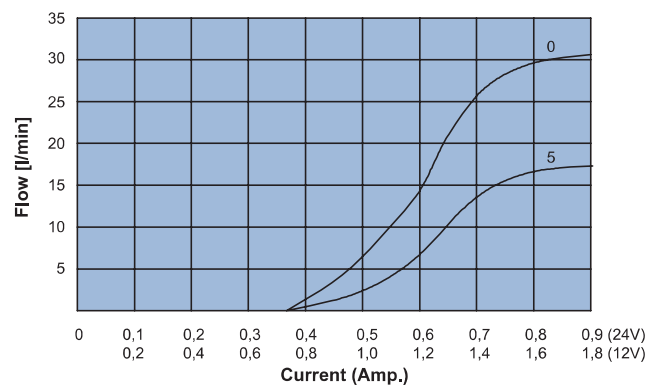
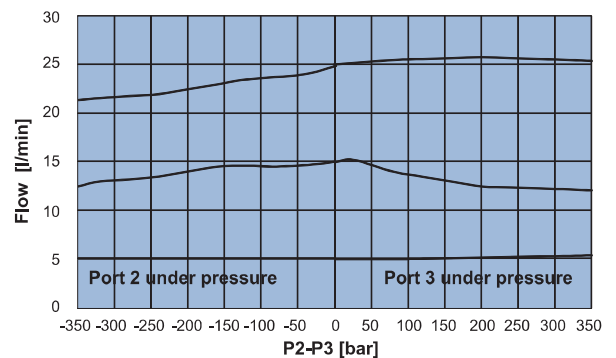
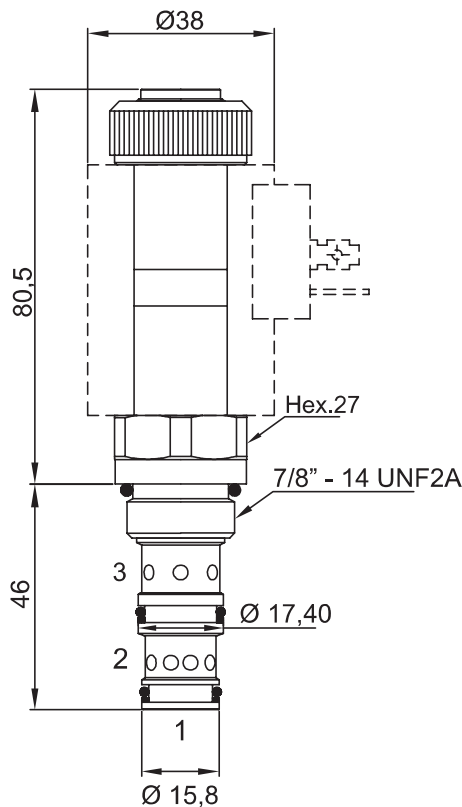
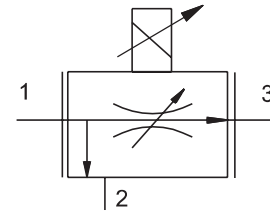


**3 WAY FLOW REGULATOR VALVE**

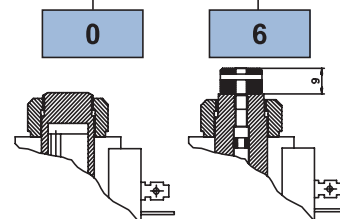
- Max working flow in 1 ..... **50 l/min**
- Max working pressure in 1:2:3 ..... **250 bar**
- Leakage ..... **150 cc/min**
- Seals ..... **NBR and PTFE**
- Cartridge tightening torque..... **.40 Nm**
- Ring nut tightening torque ..... **5 Nm**
- Weight (with coil)..... **0,56 Kg**
- PWM ..... **120 Hz**
- Hysteresis ..... **5%**
- Max current at 24 Vcc ..... **900mA**
- Max current at 12 Vcc..... **1800mA**
- Cavity ..... **C330000** page **210**
- Body..... **171312** page **184**
- Coil (to be ordered separately) ..... **09800** page **172**



**Ordering code**

**0 3 6 3 1**  **0**  **0 1**

FLOW RANGE	0	5
Min - Max [l/min]	0÷25	0÷15



**No emergency    Unscrew type**