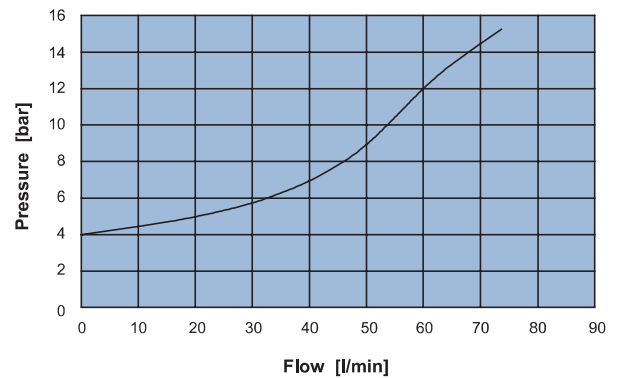
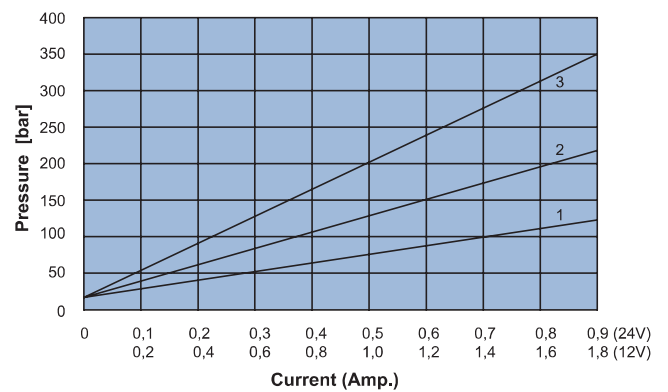
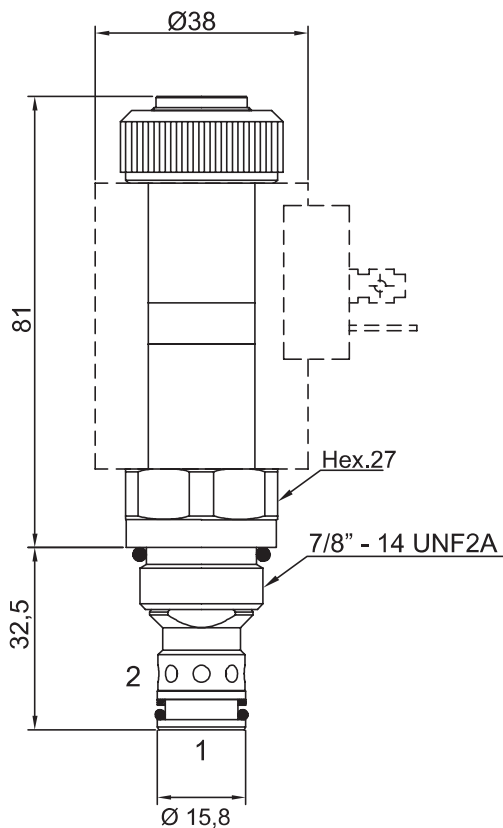
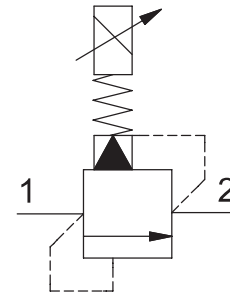


ELECTRO-PROPORTIONAL PRESSURE RELIEF VALVE, PILOT OPERATED

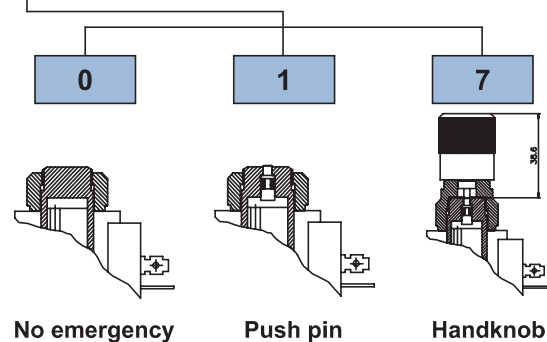
- Flow **60 l/min**
- Max working pressure... **350 bar**
- Seals **NBR and PTFE**
- Max current at 12 Vcc **1800mA**
- Max current at 24 Vcc **900mA**
- PWM **120 Hz**
- Hysteresis..... **5%**
- Cartridge tightening torque **40 Nm**
- Ring nut tightening torque **4 Nm**
- Weight (with coil)..... **0,48 Kg**
- Cavity **C230000** page 200
- Body..... **171302** page 183
- Coil (to be ordered separately) **09800** page 172



Ordering code

0 0 6 3 0 0 0 0

| SETTING RANGE | 1 | 2 | 3 |
|-----------------|---------|---------|---------|
| Min - Max [bar] | 0 ÷ 150 | 0 ÷ 250 | 0 ÷ 350 |



No emergency

Push pin

Handknob